

Keyboards for XW-K platforms

SAFETY INFO

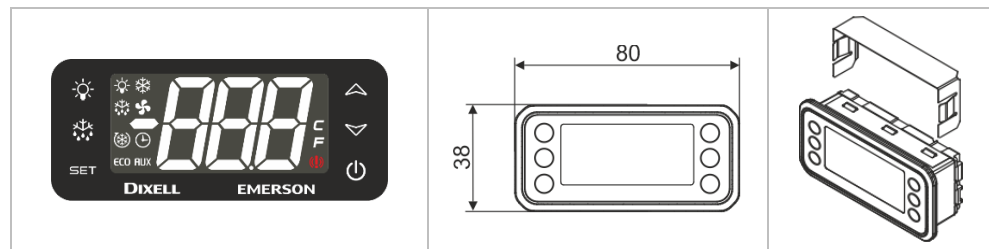
- This manual is part of the product and should be kept near the instrument for easy and quick reference.
- The instrument shall not be used for purposes different from those described hereunder. It cannot be used as a safety device.
- Dixell Srl reserves the right to change the composition of its products, even without notice, ensuring the same and unchanged functionality.
- In case of failure or faulty operation contact the local distributor or "Dixell S.r.l." with a detailed description of the fault.
- The instrument must not be opened.
- Check the application limits and the correct power supply voltage before proceeding.
- Do not expose to water or moisture: use the controller only within the operating limits avoiding sudden temperature changes with high atmospheric humidity to avoid condensation
- Warning: disconnect the power supply and all other electrical connections before any kind of maintenance.
- Observe the maximum current value which can be applied to each relay (see Technical Data).
- Ensure that the wires for probes, loads and the power supply are separated and far enough from each other, without crossing or intertwining.

USER INTERFACE

BUTTON	DESCRIPTION	BUTTON	DESCRIPTION
	To switch the light output		To start a manual defrost
	(UP) To see the MAX value for stored temperature. When in programming mode, it browses the parameters or increases the current parameter value.		(DOWN) To see the MIN value for stored temperature. When in programming mode, it browses the parameters or decreases the current parameter value.
SET	To display current set point. When in programming mode, it selects a parameter or confirm an operation.	ECO	To activate or deactivate the energy saving mode
	To switch the instrument on or off (Stand-by mode).	AUX	To activate or deactivate the auxiliary output

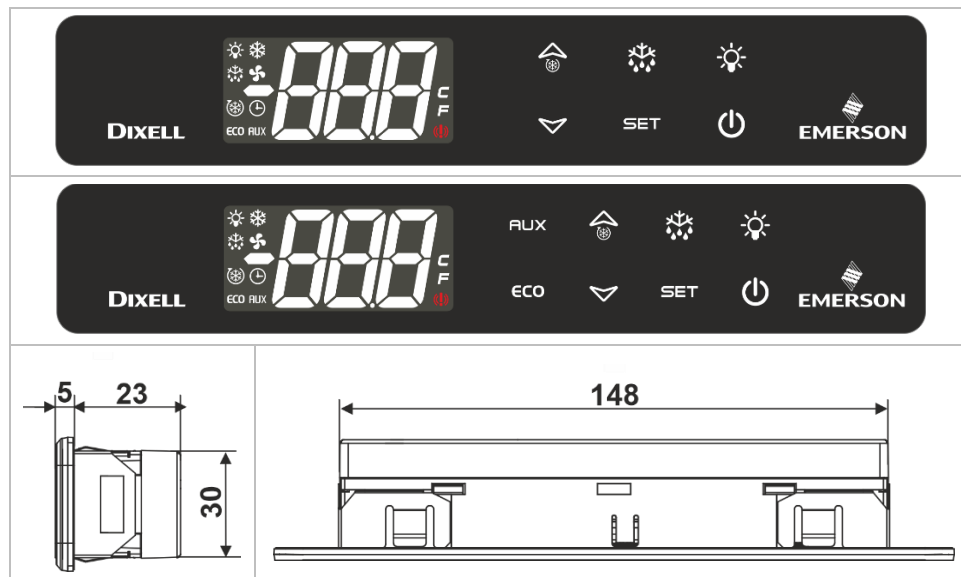
ICON	DESCRIPTION	ICON	DESCRIPTION
	Light output is ON		Defrost output is ON
	Compressor output is ON		Real Time Clock is present
	Evaporator fan output is ON	ECO	Energy saving mode is ON
	Pull Down is ON	AUX	Auxiliary output is ON
CF	Unit of measurement. C = Celsius degree; F = Fahrenheit degree		An alarm condition is present

CH620



FEATURES	DESCRIPTION
Housing	Self-extinguishing PC-ABS
Dimensions	Front 38x80 mm; case depth 30mm
Mounting	Panel mounting, 71x29mm panel cut-out, through steel bracket
Keyboard type	6 mechanical buttons
Degree of Protection	NEMA (UL 50e) Indoor use, Open Type
Power Supply	From power board, do not apply any external source
Rated Power	0.5W
Software Class	A
Terminal blocks / Terminal Connections	Plug-in or screw terminal block, wire section between 0,5 and 2,5 mm2 Max tightening force: 0.4 N/m for 5,0mm pitch
Display	Red, White or Blue LED type display, 3 digits with decimal point and multi-function icons
Pollution Degree	2, non-condensing humidity
Ambient Operating Temperature and Humidity	IEC/EN 0T50°C; 20-85 rH% (non-condensing humidity)
Shipping and storage temperature	-40T85°C; 20-85 rH% (non-condensing humidity)
Resistance to Heat	UL 94 V-0
Purpose of control	Operating control
Construction of control	Incorporated control, intended to be used in Class I equipment
Approvals	Tested according to the requirements of the relevant subclauses of IEC/EN 60335-2-89 in conjunction with IEC/EN 60335-1

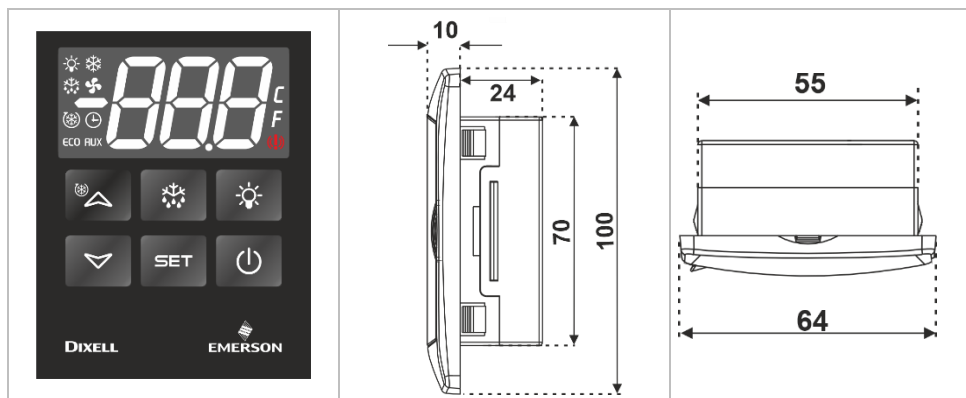
T620H, T820H



FEATURES	DESCRIPTION
Housing	Self-extinguishing PC-ABS
Dimensions	Front 185x38 mm; case depth 23mm
Mounting	Panel mounting, 150x31mm panel cut-out, through steel bracket
Keyboard type	Membrane, 6 or 8 buttons
Degree of Protection	NEMA (UL 50e) Indoor use, Open Type
Power Supply	From power board, do not apply any external source
Rated Power	0.5W
Software Class	A
Terminal blocks / Terminal Connections	Plug-in or screw terminal block, wire section between 0,5 and 2,5 mm2 Max tightening force: 0.4 N/m for 5,0mm pitch
Display	Red, White or Blue LED type display, 3 digits with decimal point and multi-function icons
Pollution Degree	2, non-condensing humidity
Ambient Operating Temperature and Humidity	IEC/EN -10T60°C; 20-85 rH% (non-condensing humidity)
Shipping and storage temperature	-40T85°C; 20-85 rH% (non-condensing humidity)
Resistance to Heat	UL 94 V-0
Purpose of control	Operating control
Construction of control	Incorporated control, intended to be used in Class I equipment
Approvals	CE

Power Supply	From power board, do not apply any external source
Rated Power	0.5W
Software Class	A
Terminal blocks / Terminal Connections	Plug-in or screw terminal block, wire section between 0,5 and 2,5 mm2 Max tightening force: 0.4 N/m for 5,0mm pitch
Display	Red, White or Blue LED type display, 3 digits with decimal point and multi-function icons
Pollution Degree	2, non-condensing humidity
Ambient Operating Temperature and Humidity	0T50°C; 20-85 rH% (non-condensing humidity)
Shipping and storage temperature	-40T85°C; 20-85 rH% (non-condensing humidity)
Resistance to Heat	UL 94 V-0
Purpose of control	Operating control
Construction of control	Incorporated control, intended to be used in Class I equipment
Approvals	CE

V620H



FEATURES	DESCRIPTION
Housing	Self-extinguishing PC-ABS
Dimensions	Front 64x100mm; case depth 24 mm
Mounting	Panel mounting, 56x72mm panel cut-out, through frontal screws
Keyboard type	6 or 8 mechanical buttons
Degree of Protection	Indoor use, Open Type 1




Dixell S.r.l. - Z.I. Via dell'Industria, 27 - 32016 Alpagò (BL) ITALY
 Tel. +39.0437.9833 r.a. - Fax +39.0437.989313 - EmersonClimate.com/Dixell - dixell@emerson.com