



CONDENSING UNITS

Danfoss

Optyma™ SlimPack



CONDENSING UNITS



Optyma™ SlimPack

The Danfoss Optyma™ outdoor condensing units are designed to provide different refrigerant options, depending on your specific needs. They offer standard versions that use A1 refrigerants, multi-refrigerant versions that offer both A1 and A2L refrigerants in a single unit, as well as natural refrigerant versions that use CO2 refrigerant. Indoor models are also available with R290.

This variety of options ensures that you can find a suitable solution without having to deal with complicated configurations. In addition, these units have high energy efficiency and cooling performance, making them suitable for both medium and low-temperature applications. They are also designed to be easy to install and are reliable, making them ideal for supporting the transition towards greener technologies.

Contents

Optyma™ Slim Pack..... 4

R452A LBP..... 6

R404A/R507 LBP..... 8

R455A LBP..... 10

R454C LBP..... 11

R134a MBP..... 12

R513A MBP..... 16

R1234yf MBP..... 20

R448A MBP..... 21

R449A MBP..... 25

R452A MBP..... 29

R404A/R507 MBP..... 33

R455A MBP..... 37

R454C MBP..... 39

Dimensions..... 41



Optyma™ SlimPack

Light on refrigerant, heavy on efficiency

Get it all with Optyma™ Slim Pack. It combines quiet operation and more value for money with an energy-efficient and compact solution.



Quick and safe installation and service

Same serviceable units, upgraded for A2L refrigerants. Ignition proof tested in TÜV laboratory.



High SEPR*

All models in the range are highly efficient and well above EcoDesign 2018 thresholds, contributing to a reduction in energy costs. *SEPR: Seasonal Energy Performance Ratio.



A2L

Multi-refrigerants units for complexity reduction, available with new code numbers. Go A2L for a sustainable compliant choice.



Suitable for residential areas

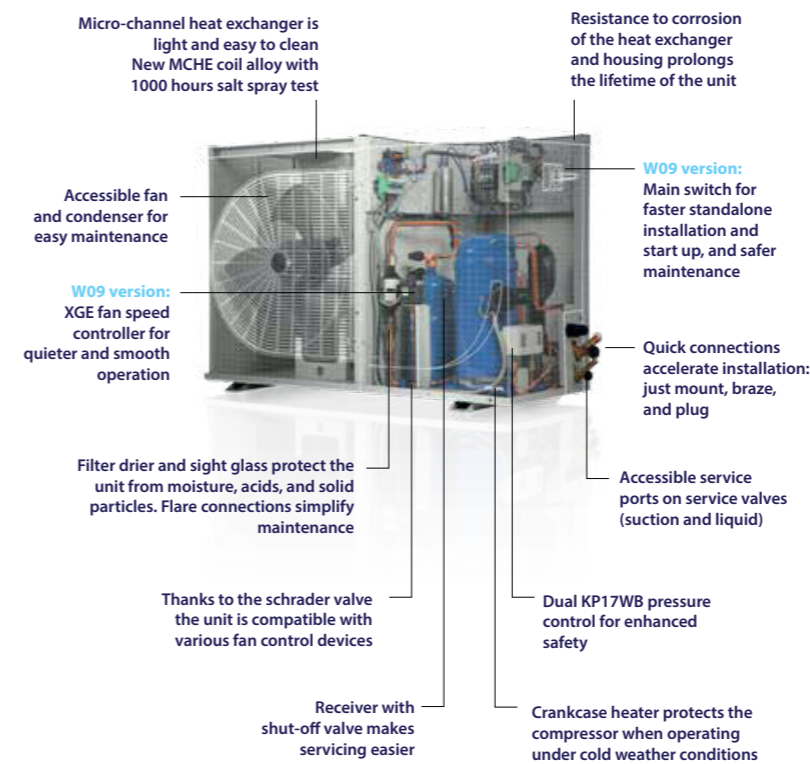
It operates up to 7 dB(A) lower than other packaged units of the same capacity and the fan-speed controller further reduces the sound level by up to 4 dB(A).



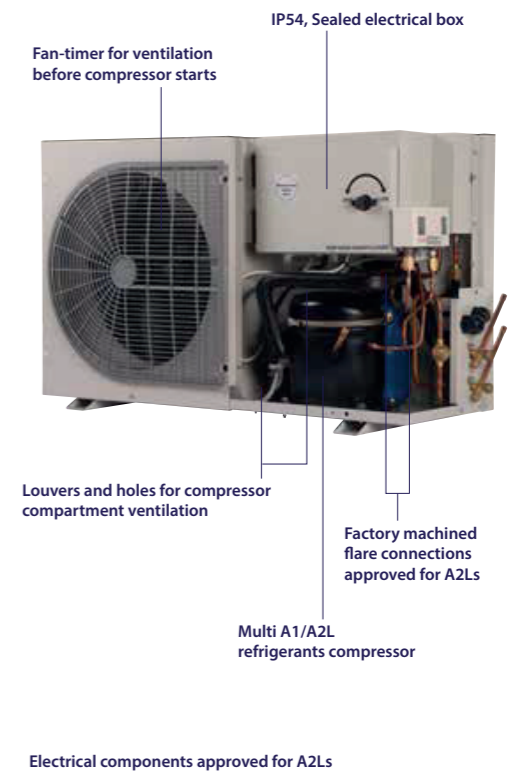
Optimized footprint for floor and wall mounting

Thanks to its slim design and low weight, it is easy to transport and handle during installation – particularly for wall mounting.

Standard range (W05 and W09)



Multi refrigerant range (W05 and W09)



Optyma™ Slim Pack - Performance data R452A LBP

Model	Code	Version	Refrigerant group	Electrical code (1)	Tamb [°C]	Cooling capacity Q [kW] (2)							EcoDesign (3)		Min Fuse rating gL/gG (A)	Sound pressure level @ 10m dB(A)
						Evaporating Temperature (Mid point) [°C]							COP	SEPR		
						-40°C	-35°C	-30°C	-25°C	-20°C	-15°C	-10°C				
OP-LSQM014DP	114X7106 114X7129	W05 W09	A1	G	27	-	0.44	0.56	0.68	0.81	0.95	-	0.98	-	10	32
					32	-	0.39	0.50	0.61	0.73	0.86	-				
					38	-	0.34	0.43	0.53	0.64	0.76	-				
					43	-	0.3	0.38	0.47	0.57	0.67	-				
OP-LSVM014DP	114X7263 114X7295	W05 W09	A1 + A2L	G	27	0.33	0.44	0.55	0.67	0.8	0.93	1.07	0.98	-	10	31
					32	0.30	0.39	0.49	0.6	0.72	0.84	0.97				
					38	-	0.34	0.43	0.52	0.63	0.74	0.86				
					43	-	0.29	0.37	0.46	0.55	0.65	0.76				
OP-LSQM018DP	114X7107 114X7130	W05 W09	A1	G	27	-	0.47	0.61	0.76	0.93	1.11	-	0.98	-	10	32
					32	-	0.42	0.55	0.69	0.84	1.01	-				
					38	-	0.36	0.47	0.6	0.74	0.89	-				
					43	-	0.31	0.41	0.52	0.65	0.79	-				
OP-LSVM016DP	114X7242 114X7296	W05 W09	A1 + A2L	G	27	0.34	0.48	0.62	0.78	0.95	1.14	1.33	0.97	-	10	32
					32	0.30	0.42	0.56	0.70	0.86	1.03	1.21				
					38	-	0.36	0.48	0.61	0.75	0.90	1.07				
					43	-	0.31	0.41	0.53	0.66	0.80	0.95				
OP-LSQM026AJ	114X7085 114X7179	W05 W09	A1	G	27	0.50	0.70	0.93	1.20	1.52	1.8	-	0.99	-	10	36
					32	0.44	0.61	0.83	1.08	1.38	1.72	-				
					38	0.36	0.52	0.71	0.94	1.21	1.52	-				
					43	-	0.44	0.62	0.82	1.06	1.34	-				
OP-LSVM026DS	114X7227 114X7297	W05 W09	A1 + A2L	G	27	0.48	0.69	0.94	1.22	1.53	1.88	2.26	0.97	-	10	38
					32	0.43	0.62	0.85	1.12	1.41	1.74	2.10				
					38	-	0.55	0.75	0.99	1.26	1.57	1.91				
					43	-	0.49	0.67	0.89	1.14	1.43	1.75				
OP-LSQM034AJ	114X7086 114X7180	W05 W09	A1	G	27	0.66	0.91	1.20	1.55	1.96	2.44	-	0.98	-	10	37
					32	0.58	0.81	1.08	1.40	1.78	2.23	-				
					38	0.49	0.69	0.93	1.22	1.57	1.97	-				
					43	-	0.59	0.81	1.07	1.39	1.76	-				
OP-LSVM034DS	114X7228 114X7298	W05 W09	A1 + A2L	G	27	0.65	0.93	1.25	1.62	2.02	2.46	2.93	1.01	-	10	38
					32	0.59	0.85	1.14	1.48	1.85	2.27	2.72				
					38	-	0.74	1.01	1.31	1.66	2.04	2.46				
					43	-	0.66	0.90	1.17	1.49	1.85	2.24				
OP-LSQM048NT	114X7087 114X7181	W05 W09	A1	G	27	0.82	1.15	1.55	2.00	2.53	3.11	-	1.18	-	10	40
					32	0.70	1.00	1.37	1.78	2.26	2.79	-				
					38	0.57	0.84	1.16	1.53	1.96	2.43	-				
					43	0.47	0.71	1.00	1.33	1.719	2.13	-				
OP-LSVM048NT	114X7244 114X7282	W05 W09	A1 + A2L	G	27	0.82	1.15	1.55	2.00	2.53	3.11	-	1.18	-	10	40
					32	0.70	1.00	1.37	1.78	2.26	2.79	-				
					38	0.57	0.84	1.16	1.53	1.96	2.43	-				
					43	0.47	0.71	1.00	1.33	1.719	2.13	-				
OP-LSQM048NT	114X7088 114X7182	W05 W09	A1	E	27	0.79	1.11	1.50	1.92	2.41	2.93	-	1.12	-	10	40
					32	0.68	0.98	1.33	1.72	2.16	2.63	-				
					38	0.54	0.82	1.14	1.48	1.87	2.28	-				
					43	0.42	0.68	0.97	1.28	1.62	1.99	-				
OP-LSVM048NT	114X7245 114X7283	W05 W09	A1+A2L	E	27	0.79	1.11	1.50	1.92	2.41	2.93	-	1.12	-	10	40
					32	0.68	0.98	1.33	1.72	2.16	2.63	-				
					38	0.54	0.82	1.14	1.48	1.87	2.28	-				
					43	0.42	0.68	0.97	1.28	1.62	1.99	-				

This table continues on the next page

LBP
(1) G - Compressor 230V/1Ph/50Hz, fan 230V/1Ph/50Hz
 E - Compressor 400V/3Ph/50Hz, fan 230V/1Ph/50Hz
(2) Nominal conditions (EN13215), Evaporating temperatures at Mid point, Superheat 10K, Subcooling 0K
(3) Rated conditions (EN13215), Evaporating temperature (Mid point) -35°C, Ambient air temperature +32°C, Return Gas Temperature 20°C, Subcooling 0K (NTZ comp models with 10K superheat)

Optyma™ Slim Pack - Performance data R452A LBP

Model	Code	Version	Refrigerant group	Electrical code (1)	Tamb [°C]	Cooling capacity Q [kW] (2)							EcoDesign (3)		Min Fuse rating gL/gG (A)	Sound pressure level @ 10m dB(A)
						Evaporating Temperature (Mid point) [°C]							COP	SEPR		
						-40°C	-35°C	-30°C	-25°C	-20°C	-15°C	-10°C				
OP-LSQM068FH	114X7095 114X7185	W05 W09	A1	G	27	1.29	1.85	2.50	3.26	4.09	4.99	-	1.10	-	10	44
					32	1.07	1.58	2.18	2.88	3.65	4.47	-				
					38	0.81	1.27	1.81	2.44	3.13	3.86	-				
					43	-	1.02	1.51	2.08	2.70	3.36	-				
OP-LSQM068FH	114X7096 114X7186	W05 W09	A1	E	27	1.20	1.72	2.33	3.04	3.84	4.71	-	1.08	-	10	44
					32	0.99	1.47	2.04	2.69	3.43	4.24	-				
					38	0.75	1.18	1.69	2.28	2.94	3.67	-				
					43	-	0.95	1.41	1.94	2.54	3.20	-				
OP-LSQM068NT	114X7090 114X7184	W05 W09	A1	E	27	1.27	1.71	2.22	2.76	3.32	3.93	-	1.24	-	16	40
					32	1.11	1.50	1.96	2.45	2.96	3.51	-				
					38	0.92	1.26	1.66	2.08	2.55	3.02	-				
					43	0.77	1.07	1.43	1.80	2.21	2.62	-				
OP-LSVM068NT	114X7247 114X7285	W05 W09	A1+A2L	E	27	1.27	1.71	2.22	2.76	3.32	3.93	-	1.24	-	10	44
					32	1.11	1.5	1.96	2.45	2.96	3.51	-				
					38	0.92	1.26	1.66	2.08	2.55	3.02	-				
					43	0.77	1.07	1.43	1.8	2.21	2.62	-				
OP-LSQM068NT	114X7089 114X7183	W05 W09	A1	G	27	1.31	1.73	2.21	2.73	3.32	3.93	-	1.07	-	25	40
					32	1.12	1.51	1.95	2.43	2.97	3.53	-				
					38	0.91	1.25	1.65	2.08	2.56	3.05	-				
					43	0.73	1.05	1.41	1.80	2.23	2.66	-				
OP-LSQM067LL	114X7091 114X7187	W05 W09	A1	E	27	2.02	2.60	3.32	4.16	5.16	6.31	-	-	1.68	16	40
					32	1.88	2.41	3.07	3.85	4.78	5.85	-				
					38	1.72	2.19	2.78	3.47	4.31	5.28	-				
					43	1.58	2.00	2.53	3.15	3.91	4.80	-				
OP-LSQM084LL	114X7092 114X7188	W05 W09	A1	E	27	2.52	3.19	3.99	4.91	5.99	7.23	-	-	1.65	20	42
					32	2.33	2.94	3.69	4.54	5.55	6.70	-				
					38	2.09	2.64	3.31	4.08	4.99	6.03	-				
					43	1.88	2.38	2.98	3.68	4.50	5.45	-				
OP-LSQM098LL	114X7075 114X7189	W05 W09	A1	E	27	2.94	3.72	4.64	5.69	6.92	8.30	-	-	1.67	20	43
					32	2.71	3.43	4.28	5.25	6.39	7.67	-				
					38	2.43	3.07	3.84	4.71	5.73	6.88	-				
					43	2.18	2.76	3.45	4.23	5.15	6.20	-				

LBP
(1) G - Compressor 230V/1Ph/50Hz, fan 230V/1Ph/50Hz
 E - Compressor 400V/3Ph/50Hz, fan 230V/1Ph/50Hz
(2) Nominal conditions (EN13215), Evaporating temperatures at Mid point, Superheat 10K, Subcooling 0K
(3) Rated conditions (EN13215), Evaporating temperature (Mid point) -35°C, Ambient air temperature +32°C, Return Gas Temperature 20°C, Subcooling 0K (NTZ comp models with 10K superheat)

Optyma™ Slim Pack - Performance data R404A/R507 LBP

Model	Code	Version	Refrigerant group	Electrical code (1)	Tamb [°C]	Cooling capacity Q [kW] (2)							EcoDesign (3)		Min Fuse rating gL/gG (A)	Sound pressure level @ 10m dB(A)
						Evaporating Temperature (Mid point) [°C]							COP	SEPR		
						-40°C	-35°C	-30°C	-25°C	-20°C	-15°C	-10°C				
OP-LSQM014DP	114X7106 114X7129	W05 W09	A1	G	27	-	0.5	0.64	0.8	0.98	1.17	-	1.04	-	10	29
					32	-	0.44	0.58	0.73	0.89	1.07	-				
					38	-	0.38	0.5	0.63	0.78	0.95	-				
					43	-	0.33	0.44	0.56	0.69	0.85	-				
OP-LSVM014DP	114X7263 114X7295	W05 W09	A1 + A2L	G	27	0.36	0.5	0.64	0.8	0.98	1.17	1.38	1.04	-	10	31
					32	0.33	0.44	0.58	0.73	0.89	1.07	1.27				
					38	0.28	0.38	0.5	0.63	0.78	0.95	1.13				
					43	-	0.33	0.44	0.56	0.69	0.84	1.01				
OP-LSVM016DP	114X7242 114X7296	W05 W09	A1 + A2L	G	27	0.38	0.54	0.71	0.91	1.12	1.35	1.6	1.02	-	10	32
					32	0.34	0.48	0.64	0.82	1.02	1.23	1.47				
					38	0.29	0.41	0.55	0.71	0.89	1.09	1.31				
					43	-	0.36	0.48	0.63	0.79	0.97	1.18				
OP-LSQM018DP	114X7107 114X7130	W05 W09	A1	G	27	-	0.54	0.71	0.91	1.12	1.35	-	1.08	-	10	29
					32	-	0.48	0.64	0.82	1.02	1.23	-				
					38	-	0.41	0.55	0.71	0.89	1.09	-				
					43	-	0.36	0.48	0.63	0.79	0.97	-				
OP-LSQM026AJ	114X7085 114X7179	W05 W09	A1	G	27	0.53	0.74	0.98	1.28	1.62	2.00	-	1.02	-	10	36
					32	0.46	0.65	0.88	1.15	1.46	1.82	-				
					38	0.37	0.54	0.75	0.99	1.27	1.60	-				
					43	-	0.46	0.64	0.86	1.12	1.41	-				
OP-LSVM026DS	114X7227 114X7297	W05 W09	A1 + A2L	G	27	0.48	0.70	0.94	1.22	1.52	1.86	2.22	0.97	-	10	38
					32	0.43	0.63	0.86	1.12	1.40	1.72	2.06				
					38	0.38	0.56	0.76	1.00	1.26	1.55	1.87				
					43	-	0.50	0.68	0.90	1.14	1.41	1.71				
OP-LSQM034AJ	114X7086 114X7180	W05 W09	A1	G	27	0.69	0.94	1.24	1.60	2.01	2.49	-	0.98	-	16	37
					32	0.60	0.83	1.11	1.44	1.82	2.26	-				
					38	0.50	0.71	0.95	1.25	1.59	1.99	-				
					43	-	0.60	0.82	1.09	1.40	1.76	-				
OP-LSVM034DS	114X7228 114X7298	W05 W09	A1 + A2L	G	27	0.66	0.96	1.30	1.68	2.09	2.54	3.03	1.03	-	10	38
					32	0.60	0.87	1.19	1.54	1.92	2.35	2.81				
					38	0.53	0.77	1.05	1.37	1.72	2.12	2.55				
					43	-	0.68	0.94	1.23	1.55	1.92	2.32				
OP-LSQM048NT	114X7087 114X7181	W05 W09	A1	G	27	0.79	1.15	1.59	2.11	2.71	3.38	-	1.04	-	10	40
					32	0.67	1.00	1.40	1.88	2.43	3.05	-				
					38	0.52	0.82	1.18	1.60	2.09	2.65	-				
					43	0.40	0.67	0.99	1.37	1.81	-	-				
OP-LSVM048NT	114X7244 114X7282	W05 W09	A1+A2L	G	27	0.79	1.15	1.59	2.11	2.71	3.38	-	1.04	-	10	40
					32	0.67	1	1.4	1.88	2.43	3.05	-				
					38	0.52	0.82	1.18	1.6	2.09	2.65	-				
					43	0.4	0.67	0.99	1.37	1.81	-	-				
OP-LSQM048NT	114X7088 114X7182	W05 W09	A1	E	27	0.80	1.16	1.59	2.10	2.67	3.32	-	1.16	-	10	40
					32	0.68	1.02	1.41	1.87	2.40	2.99	-				
					38	0.55	0.85	1.20	1.60	2.07	2.60	-				
					43	0.44	0.70	1.02	1.38	1.80	-	-				
OP-LSVM048NT	114X7245 114X7283	W05 W09	A1+A2L	E	27	0.8	1.16	1.59	2.1	2.67	3.32	-	1.16	-	10	40
					32	0.68	1.02	1.41	1.87	2.4	2.99	-				
					38	0.55	0.85	1.2	1.6	2.07	2.6	-				
					43	0.44	0.7	1.02	1.38	1.8	-	-				

This table continues on the next page

LBP
(1) G - Compressor 230V/1Ph/50Hz, fan 230V/1Ph/50Hz
E - Compressor 400V/3Ph/50Hz, fan 230V/1Ph/50Hz
(2) Nominal conditions (EN13215), Evaporating temperatures at Mid point, Superheat 10K, Subcooling 0K
(3) Rated conditions (EN13215), Evaporating temperature (Mid point) -35°C, Ambient air temperature +32°C, Return Gas Temperature 20°C, Subcooling 0K (NTZ comp models with 10K superheat)

Optyma™ Slim Pack - Performance data R404A/R507 LBP

Model	Code	Version	Refrigerant group	Electrical code (1)	Tamb [°C]	Cooling capacity Q [kW] (2)							EcoDesign (3)		Min Fuse rating gL/gG (A)	Sound pressure level @ 10m dB(A)
						Evaporating Temperature (Mid point) [°C]							COP	SEPR		
						-40°C	-35°C	-30°C	-25°C	-20°C	-15°C	-10°C				
OP-LSQM068FH	114X7096 114X7186	W05 W09	A1	E	27	1.32	1.86	2.52	3.28	4.16	5.14	-	1.13	-	10	44
					32	1.10	1.60	2.21	2.92	3.72	4.63	-				
					38	0.85	1.31	1.85	2.48	3.20	4.01	-				
					43	0.66	1.07	1.56	2.13	2.78	3.51	-				
OP-LSQM068FH	114X7095 114X7185	W05 W09	A1	G	27	1.42	2.01	2.72	3.53	4.46	5.51	-	1.15	-	10	44
					32	1.19	1.73	2.38	3.14	3.99	4.96	-				
					38	0.92	1.41	1.99	2.67	3.43	4.30	-				
					43	0.71	1.15	1.68	2.28	2.97	3.76	-				
OP-LSQM068NT	114X7089 114X7183	W05 W09	A1	G	27	1.35	1.82	2.37	3.02	3.76	4.59	-	1.1	-	25	40
					32	1.21	1.63	2.13	2.72	3.39	4.13	-				
					38	1.04	1.41	1.85	2.36	2.94	3.60	-				
					43	0.90	1.23	1.62	2.07	2.58	-	-				
OP-LSQM068NT	114X7090 114X7184	W05 W09	A1	E	27	1.38	1.88	2.46	3.13	3.88	4.70	-	1.2	-	16	40
					32	1.19	1.65	2.18	2.79	3.48	4.23	-				
					38	0.99	1.39	1.87	2.40	3.01	3.69	-				
					43	0.83	1.20	1.62	2.10	2.64	-	-				
OP-LSVM068NT	114X7247 114X7285	W05 W09	A1+A2L	E	27	1.38	1.88	2.46	3.13	3.88	4.7	-	1.2	-	16	40
					32	1.19	1.65	2.18	2.79	3.48	4.23	-				
					38	0.99	1.39	1.87	2.4	3.01	3.69	-				
					43	0.83	1.2	1.62	2.1	2.64	-	-				
OP-LSQM067LL	114X7091 114X7187	W05 W09	A1	E	27	2.23	2.8	3.57	4.42	5.40	6.52	-	-	1.66	16	40
					32	2.04	2.62	3.30	4.09	5.00	6.04	-				
					38	1.80	2.34	2.96	3.67	4.49	5.43	-				
					43	1.60	2.09	2.65	3.30	4.05	4.90	-				
OP-LSQM084LL	114X7092 114X7188	W05 W09	A1	E	27	2.68	3.40	4.27	5.31	6.50	7.85	-	-	1.69	20	42
					32	2.46	3.13	3.94	4.89	5.98	7.23	-				
					38	2.19	2.80	3.52	4.37	5.34	6.46	-				
					43	1.96	2.51	3.16	3.92	4.79	5.79	-				
OP-LSQM098LL	114X7075 114X7189	W05 W09	A1	E	27	3.12	3.96	4.96	6.13	7.48	9.00	-	-	1.73	20	43
					32	2.87	3.64	4.56	5.64	6.88	8.28	-				
					38	2.55	3.25	4.07	5.03	6.13	7.37	-				
					43	2.26	2.90	3.64	4.50	5.48	6.59	-				

LBP
(1) G - Compressor 230V/1Ph/50Hz, fan 230V/1Ph/50Hz
E - Compressor 400V/3Ph/50Hz, fan 230V/1Ph/50Hz
(2) Nominal conditions (EN13215), Evaporating temperatures at Mid point, Superheat 10K, Subcooling 0K
(3) Rated conditions (EN13215), Evaporating temperature (Mid point) -35°C, Ambient air temperature +32°C, Return Gas Temperature 20°C, Subcooling 0K (NTZ comp models with 10K superheat)

Optyma™ Slim Pack - Performance data R455A LBP

Model	Code	Version	Refrigerant group	Electrical code (1)	Tamb [°C]	Cooling Capacity (2) in Watts							EcoDesign (3)		Min Fuse rating gL/gG (A)	Sound pressure level @ 10m dB(A)
						Evaporating Temperature (Mid point) [°C]							COP	SEPR		
						-40°C	-35°C	-30°C	-25°C	-20°C	-15°C	-10°C				
OP-LSVM014DP	114X7263 114X7295	W05 W09	A1 + A2L	G	27	0.34	0.44	0.56	0.68	0.82	0.97	1.14	0.90	-	10	31
					32	0.30	0.39	0.50	0.61	0.74	0.89	1.04				
					38	0.25	0.33	0.43	0.53	0.65	0.78	0.93				
					43	0.21	0.28	0.37	0.47	0.58	0.70	0.83				
OP-LSVM016DP	114X7242 114X7296	W05 W09	A1 + A2L	G	27	0.37	0.50	0.64	0.80	0.97	1.16	1.36	0.93	-	10	32
					32	0.33	0.44	0.57	0.72	0.88	1.06	1.25				
					38	0.27	0.37	0.49	0.62	0.77	0.93	1.11				
					43	0.23	0.32	0.42	0.54	0.68	0.83	1.00				
OP-LSVM026DS	114X7227 114X7297	W05 W09	A1 + A2L	G	27	0.47	0.67	0.90	1.17	1.46	1.77	2.12	0.95	-	10	38
					32	0.42	0.60	0.82	1.07	1.34	1.64	1.97				
					38	0.36	0.53	0.72	0.95	1.20	1.48	1.79				
					43	0.32	0.47	0.64	0.85	1.09	1.35	1.65				
OP-LSVM048NT	114X7244 114X7282	W05 W09	A1 + A2L	G	27	-	1.01	1.37	1.77	2.20	2.68	3.15	0.91	-	10	38
					32	-	0.89	1.21	1.57	1.96	2.40	2.83				
					38	-	0.74	1.02	1.34	1.69	2.07	2.46				
					43	-	0.00	0.87	1.16	1.46	1.81	2.15				
OP-LSVM034DS	114X7228 114X7298	W05 W09	A1 + A2L	G	27	0.73	1.03	1.39	1.78	2.21	2.67	3.18	1.00	-	10	38
					32	0.65	0.93	1.26	1.62	2.03	2.47	2.95				
					38	0.57	0.82	1.11	1.44	1.82	2.23	2.68				
					43	0.50	0.72	0.99	1.30	1.65	2.03	2.46				
OP-LSVM048NT	114X7245 114X7283	W05 W09	A1 + A2L	E	27	-	1.05	1.42	1.85	2.35	2.89	3.45	0.97	-	10	38
					32	-	0.93	1.27	1.66	2.10	2.60	3.11				
					38	-	0.78	1.08	1.42	1.82	2.25	2.70				
					43	-	0.66	0.93	1.23	1.58	1.97	2.37				
OP-LSVM068NT	114X7247 114X7285	W05 W09	A1 + A2L	E	27	-	1.66	2.15	2.69	3.27	3.85	4.47	0.99	-	10	39
					32	-	1.50	1.95	2.44	2.95	3.48	4.03				
					38	-	0.00	1.70	2.13	2.58	3.03	3.50				
					43	-	0.00	1.49	1.88	2.28	2.66	3.06				

LBP

- (1) G - Compressor 230V/1Ph/50Hz, fan 230V/1Ph/50Hz
E - Compressor 400V/3Ph/50Hz, fan 230V/1Ph/50Hz
- (2) Nominal conditions (EN13215), Evaporating temperatures at Mid point, Superheat 10K, Subcooling 0K
- (3) Rated conditions (EN13215), Evaporating temperature (Mid point) -35°C, Ambient air temperature +32°C, Return Gas Temperature 20°C, Subcooling 0K (NTZ comp models with 10K superheat)

Optyma™ Slim Pack - Performance data R454C LBP

Model	Code	Version	Refrigerant group	Electrical code (1)	Tamb [°C]	Cooling capacity Q [kW] (2)							EcoDesign (3)		Min Fuse rating gL/gG (A)	Sound pressure level @ 10m dB(A)
						Evaporating Temperature (Mid point) [°C]							COP	SEPR		
						-40°C	-35°C	-30°C	-25°C	-20°C	-15°C	-10°C				
OP-LSVM014DP	114X7263 114X7295	W05	A1 + A2L	G	27	0.26	0.38	0.52	0.67	0.83	1.01	1.21	0.88	-	10	31
					32	0.23	0.34	0.46	0.60	0.75	0.92	1.11				
					38	0.19	0.29	0.40	0.52	0.66	0.82	0.99				
					43	-	0.24	0.34	0.46	0.59	0.73	0.89				
OP-LSVM016DP	114X7242 114X7296	W05	A1 + A2L	G	27	0.27	0.40	0.54	0.69	0.86	1.05	1.25	0.87	-	10	32
					32	0.24	0.35	0.48	0.62	0.78	0.96	1.14				
					38	0.20	0.30	0.41	0.54	0.68	0.85	1.02				
					43	-	0.25	0.35	0.47	0.60	0.75	0.92				
OP-LSVM026DS	114X7227 114X7297	W05	A1 + A2L	G	27	0.39	0.57	0.78	1.02	1.28	1.58	1.91	0.87	-	10	38
					32	0.35	0.52	0.71	0.93	1.18	1.47	1.78				
					38	0.31	0.45	0.63	0.83	1.06	1.33	1.62				
					43	-	0.40	0.56	0.75	0.96	1.21	1.49				
OP-LSVM034DS	114X7228 114X7298	W05	A1 + A2L	G	27	0.63	0.91	1.24	1.61	2.03	2.48	2.98	0.96	-	10	38
					32	0.57	0.82	1.13	1.47	1.86	2.30	2.77				
					38	0.50	0.72	1.00	1.31	1.67	2.08	2.52				
					43	-	0.64	0.89	1.18	1.51	1.89	2.31				
OP-LSVM048NT	114X7245 114X7283	W05 W09	A1+A2L	E	27	-	0.85	1.17	1.56	2.00	2.51	3.06	0.89	-	10	38
					32	-	0.76	1.05	1.39	1.79	2.26	2.77				
					38	-	0.64	0.90	1.20	1.56	1.97	2.42				
					43	-	-	0.78	1.05	1.37	1.73	2.14				
OP-LSVM048NT	114X7244 114X7282	W05 W09	A1+A2L	G	27	-	0.91	1.25	1.65	2.11	2.63	3.20	0.91	-	10	38
					32	-	0.80	1.11	1.47	1.90	2.37	2.91				
					38	-	-	0.95	1.27	1.65	2.08	2.55				
					43	-	-	0.82	1.11	1.45	1.84	2.27				
OP-LSVM068NT	114X7247 114X7285	W05 W09	A1+A2L	E	27	-	1.35	1.81	2.35	2.96	3.63	4.34	0.88	-	10	39
					32	-	1.21	1.63	2.12	2.67	3.28	3.92				
					38	-	1.03	1.41	1.85	2.34	2.87	3.43				
					43	-	-	1.23	1.62	2.05	2.53	3.02				

LBP

- (1) G - Compressor 230V/1Ph/50Hz, fan 230V/1Ph/50Hz
E - Compressor 400V/3Ph/50Hz, fan 230V/1Ph/50Hz
- (2) Nominal conditions (EN13215), Evaporating temperatures at Mid point, Superheat 10K, Subcooling 0K
- (3) Rated conditions (EN13215), Evaporating temperature (Mid point) -35°C, Ambient air temperature +32°C, Return Gas Temperature 20°C, Subcooling 0K (NTZ comp models with 10K superheat)

Optyma™ Slim Pack - Performance data R134a MBP

Model	Code	Version	Refrigerant group	Electrical code (1)	Tamb [°C]	Cooling capacity Q [kW] (2)						EcoDesign (3)		Min Fuse rating gL/gG (A)	Sound pressure level @ 10m dB(A)
						Evaporating Temperature (Mid point) [°C]						COP	SEPR		
						-15°C	-10°C	-5°C	0°C	5°C	10°C				
OP-MSGM012SC	114X7099 114X7207	W05 W09	A1	G	27	0.54	0.69	0.86	1.05	1.27	1.52	1.71	-	10	31
					32	0.50	0.64	0.8	0.98	1.20	1.44				
					38	0.44	0.57	0.72	0.90	1.10	1.33				
					43	0.4	0.52	0.66	0.83	1.02	1.24				
OP-MSSM012SC	114X7238 114X7291	W05 W09	A1 + A2L	G	27	0.55	0.69	0.86	1.06	1.28	1.53	1.71	-	10	31
					32	0.50	0.64	0.8	0.99	1.20	1.44				
					38	0.45	0.58	0.73	0.90	1.11	1.34				
					43	0.4	0.52	0.66	0.83	1.03	1.25				
OP-MSGM015SC	114X7100 114X7208	W05 W09	A1	G	27	0.59	0.75	0.95	1.17	1.43	1.72	1.64	-	10	32
					32	0.56	0.71	0.9	1.11	1.35	1.62				
					38	0.51	0.66	0.83	1.03	1.25	1.5				
					43	0.47	0.61	0.77	0.96	1.16	1.39				
OP-MSSM015SC	114X7239 114X7292	W05 W09	A1 + A2L	G	27	0.59	0.76	0.95	1.18	1.44	1.73	1.64	-	10	31
					32	0.56	0.72	0.9	1.12	1.36	1.63				
					38	0.52	0.67	0.84	1.03	1.26	1.51				
					43	0.47	0.62	0.78	0.96	1.17	1.4				
OP-MSGM018SC	114X7101 114X7131	W05 W09	A1	G	27	0.75	0.93	1.14	1.38	1.65	1.95	1.61	-	10	32
					32	0.68	0.85	1.05	1.28	1.55	1.84				
					38	0.6	0.77	0.96	1.19	1.44	1.72				
					43	0.55	0.71	0.9	1.11	1.35	1.63				
OP-MSSM018SC	114X7240 114X7293	W05 W09	A1 + A2L	G	27	0.76	0.94	1.14	1.38	1.65	1.95	1.61	-	10	32
					32	0.68	0.86	1.06	1.29	1.55	1.85				
					38	0.61	0.77	0.97	1.19	1.44	1.73				
					43	0.56	0.72	0.9	1.11	1.36	1.63				
OP-MSGM021SC	114X7102 114X7132	W05 W09	A1	G	27	0.88	1.107	1.35	1.63	1.94	2.29	1.74	-	10	32
					32	0.81	1.02	1.26	1.53	1.83	2.17				
					38	0.73	0.93	1.15	1.41	1.7	2.01				
					43	0.66	0.85	1.06	1.3	1.58	1.88				
OP-MSSM021SC	114X7241 114X7294	W05 W09	A1 + A2L	G	27	0.89	1.11	1.36	1.64	1.95	2.29	1.74	-	10	32
					32	0.81	1.03	1.27	1.54	1.84	2.17				
					38	0.73	0.93	1.16	1.42	1.7	2.02				
					43	0.67	0.85	1.07	1.31	1.58	1.88				
OP-MSGM026AJ	114X7103 114X7209	W05 W09	A1	G	27	1.07	1.39	1.77	2.2	2.7	3.27	1.8	-	16	31
					32	0.98	1.28	1.63	2.04	2.51	3.04				
					38	0.86	1.14	1.47	1.85	2.28	2.77				
					43	0.76	1.03	1.34	1.69	2.1	2.55				
OP-MSSM026CS	114X7248 114X7304	W05 W09	A1 + A2L	G	27	1.12	1.43	1.79	2.17	2.59	3.04	1.99	-	10	38
					32	1.01	1.31	1.65	2.02	2.42	2.86				
					38	0.88	1.16	1.48	1.83	2.22	2.64				
					43	0.78	1.04	1.34	1.67	2.04	2.45				
OP-MSSM030CS	114X7249 114X7305	W05 W09	A1 + A2L	G	27	1.28	1.65	2.07	2.53	3.03	3.56	1.89	-	10	38
					32	1.16	1.51	1.91	2.35	2.83	3.34				
					38	1.02	1.35	1.72	2.13	2.59	3.09				
					43	0.9	1.21	1.56	1.95	2.39	2.87				
OP-MSGM033AJ	114X7104 114X7210	W05 W09	A1	G	27	1.4	1.79	2.24	2.76	3.34	3.98	2.02	-	16	36
					32	1.29	1.66	2.09	2.57	3.12	3.72				
					38	1.15	1.50	1.89	2.34	2.85	3.41				
					43	1.04	1.36	1.73	2.15	2.62	3.15				

This table continues on the next page

MBP

- (1) G - Compressor 230V/1Ph/50Hz, fan 230V/1Ph/50Hz
- E - Compressor 400V/3Ph/50Hz, fan 230V/1Ph/50Hz
- (2) Nominal conditions (EN13215), Evaporating temperatures at Mid point, Superheat 10K, Subcooling 0K
- (3) Rated conditions (EN13215), Evaporating temperature (Mid) -10°C, Ambient air temperature +32°C, Return Gas Temperature 20°C, Subcooling 0K

Optyma™ Slim Pack - Performance data R134a MBP

Model	Code	Version	Refrigerant group	Electrical code (1)	Tamb [°C]	Cooling capacity Q [kW] (2)						EcoDesign (3)		Min Fuse rating gL/gG (A)	Sound pressure level @ 10m dB(A)
						Evaporating Temperature (Mid point) [°C]						COP	SEPR		
						-15°C	-10°C	-5°C	0°C	5°C	10°C				
OP-MSXM034ML	114X7062 114X7196	W05 W09	A1	E	27	1.81	2.28	2.83	3.46	4.18	5	2.25	-	10	38
					32	1.71	2.16	2.68	3.29	3.98	4.76				
					38	1.59	2.01	2.5	3.07	3.72	4.46				
					43	1.49	1.88	2.34	2.88	3.5	4.2				
OP-MSIM034ML	114X7266 114X7274	W05 W09	A1+A2L	E	27	1.81	2.28	2.83	3.46	4.18	5	2.25	-	10	38
					32	1.71	2.16	2.68	3.29	3.98	4.76				
					38	1.59	2.01	2.5	3.07	3.72	4.46				
					43	1.49	1.88	2.34	2.88	3.5	4.2				
OP-MSXM034ML	114X7061 114X7195	W05 W09	A1	G	27	1.82	2.32	2.88	3.51	4.21	5	2.17	-	25	38
					32	1.71	2.18	2.73	3.33	4.02	4.78				
					38	1.58	2.02	2.53	3.11	3.77	4.5				
					43	1.47	1.89	2.36	2.91	3.54	4.25				
OP-MSIM034ML	114X7267 114X7275	W05 W09	A1+A2L	G	27	1.82	2.32	2.88	3.51	4.21	5	2.17	-	25	38
					32	1.71	2.18	2.73	3.33	4.02	4.78				
					38	1.58	2.02	2.53	3.11	3.77	4.5				
					43	1.47	1.89	2.36	2.91	3.54	4.25				
OP-MSXM044ML	114X7162 114X7212	W05 W09	A1	E	27	2.32	2.89	3.57	4.36	5.25	6.25	2.23	-	16	38
					32	2.19	2.73	3.38	4.13	4.99	5.94				
					38	2.03	2.54	3.14	3.85	4.65	5.55				
					43	1.89	2.37	2.94	3.61	4.36	5.22				
OP-MSIM044ML	114X7268 114X7276	W05 W09	A1+A2L	E	27	2.32	2.89	3.57	4.36	5.25	6.25	2.23	-	16	38
					32	2.19	2.73	3.38	4.13	4.99	5.94				
					38	2.03	2.54	3.14	3.85	4.65	5.55				
					43	1.89	2.37	2.94	3.61	4.36	5.22				
OP-MSXM044ML	114X7161 114X7211	W05 W09	A1	G	27	2.31	2.92	3.61	4.39	5.26	6.23	2.01	-	32	38
					32	2.17	2.74	3.41	4.16	5	5.94				
					38	2	2.53	3.15	3.86	4.67	5.56				
					43	1.88	2.36	2.94	3.6	4.37	5.23				
OP-MSIM044ML	114X7269 114X7277	W05 W09	A1+A2L	G	27	2.31	2.92	3.61	4.39	5.26	6.23	2.01	-	32	38
					32	2.17	2.74	3.41	4.16	5	5.94				
					38	2	2.53	3.15	3.86	4.67	5.56				
					43	1.88	2.36	2.94	3.6	4.37	5.23				
OP-MSXM046ML	114X7064 114X7198	W05 W09	A1	E	27	2.47	3.09	3.81	4.66	5.61	6.69	2.33	-	16	38
					32	2.33	2.92	3.61	4.41	5.33	6.35				
					38	2.16	2.71	3.36	4.11	4.97	5.94				
					43	2.02	2.53	3.14	3.86	4.67	5.59				
OP-MSIM046ML	114X7270 114X7278	W05 W09	A1+A2L	E	27	2.47	3.09	3.81	4.66	5.61	6.69	2.33	-	16	38
					32	2.33	2.92	3.61	4.41	5.33	6.35				
					38	2.16	2.71	3.36	4.11	4.97	5.94				
					43	2.02	2.53	3.14	3.86	4.67	5.59				
OP-MSXM046ML	114X7063 114X7197	W05 W09	A1	G	27	2.46	3.11	3.85	4.69	5.62	6.66	2.07	-	32	38
					32	2.31	2.93	3.64	4.44	5.35	6.35				
					38	2.14	2.71	3.37	4.13	4.99	5.95				
					43	2	2.52	3.14	3.85	4.67	5.6				
OP-MSIM046ML	114X7271 114X7279	W05 W09	A1+A2L	G	27	2.46	3.11	3.85	4.69	5.62	6.66	2.07	-	32	38
					32	2.31	2.93	3.64	4.44	5.35	6.35				
					38	2.14	2.71	3.37	4.13	4.99	5.95				
					43	2	2.52	3.14	3.85	4.67	5.6				

This table continues on the next page

MBP

- (1) G - Compressor 230V/1Ph/50Hz, fan 230V/1Ph/50Hz
- E - Compressor 400V/3Ph/50Hz, fan 230V/1Ph/50Hz
- (2) Nominal conditions (EN13215), Evaporating temperatures at Mid point, Superheat 10K, Subcooling 0K
- (3) Rated conditions (EN13215), Evaporating temperature (Mid) -10°C, Ambient air temperature +32°C, Return Gas Temperature 20°C, Subcooling 0K

Optyma™ Slim Pack - Performance data R134a MBP

Model	Code	Version	Refrigerant group	Electrical code (1)	Tamb [°C]	Cooling capacity Q [kW] (2)						EcoDesign (3)		Min Fuse rating gL/gG (A)	Sound pressure level @ 10m dB(A)
						Evaporating Temperature (Mid point) [°C]						COP	SEPR		
						-15°C	-10°C	-5°C	0°C	5°C	10°C				
OP-MSXM057ML	114X7066 114X7200	W05 W09	A1	E	27	2.98	3.74	4.62	5.63	6.76	8.02	2.28	-	16	38
					32	2.81	3.53	4.37	5.33	6.4	7.61				
					38	2.59	3.27	4.06	4.95	5.97	7.1				
					43	2.41	3.05	3.79	4.64	5.59	6.66				
OP-MSIM057ML	114X7272 114X7280	W05 W09	A1+A2L	E	27	2.98	3.74	4.62	5.63	6.76	8.02	2.28	-	16	38
					32	2.81	3.53	4.37	5.33	6.4	7.61				
					38	2.59	3.27	4.06	4.95	5.97	7.1				
					43	2.41	3.05	3.79	4.64	5.59	6.66				
OP-MSXM057ML	114X7065 114X7199	W05 W09	A1	G	27	2.98	3.762	4.64	5.64	6.76	7.99	1.9	-	32	38
					32	2.8	3.54	4.38	5.33	6.4	7.59				
					38	2.6	3.27	4.05	4.94	5.95	7.08				
					43	2.44	3.04	3.77	4.6	5.56	6.63				
OP-MSIM057ML	114X7273 114X7281	W05 W09	A1+A2L	G	27	2.98	3.762	4.64	5.64	6.76	7.99	1.9	-	32	38
					32	2.8	3.54	4.38	5.33	6.4	7.59				
					38	2.6	3.27	4.05	4.94	5.95	7.08				
					43	2.44	3.04	3.77	4.6	5.56	6.63				
OP-MSXM068ML	114X7068 114X7202	W05 W09	A1	E	27	3.68	4.63	5.73	7.01	8.47	10.1	2.37	-	16	39
					32	3.48	4.38	5.43	6.65	8.04	9.61				
					38	3.24	4.07	5.06	6.21	7.52	9				
					43	3.03	3.82	4.74	5.83	7.07	8.48				
OP-MSIM068ML	114X7311 114X7317	W05 W09	A1+A2L	E	27	3.68	4.63	5.73	7.01	8.47	10.1	2.37	-	16	39
					32	3.48	4.38	5.43	6.65	8.04	9.61				
					38	3.24	4.07	5.06	6.21	7.52	9				
					43	3.03	3.82	4.74	5.83	7.07	8.48				
OP-MSXM068ML	114X7067 114X7201	W05 W09	A1	G	27	3.78	4.65	5.75	7.03	8.47	10	2.08	-	40	39
					32	3.64	4.42	5.44	6.67	8.05	9.58				
					38	3.47	4.14	5.07	6.21	7.53	9				
					43	3.35	3.91	4.75	5.81	7.07	8.48				
OP-MSIM068ML	114X7312 114X7318	W05 W09	A1+A2L	G	27	3.78	4.65	5.75	7.03	8.47	10	2.08	-	40	39
					32	3.64	4.42	5.44	6.67	8.05	9.58				
					38	3.47	4.14	5.07	6.21	7.53	9				
					43	3.35	3.91	4.75	5.81	7.07	8.48				
OP-MSXM080ML	114X7070 114X7204	W05 W09	A1	E	27	4.28	5.38	6.66	8.12	9.78	11.63	-	3.43	20	39
					32	4.02	5.08	6.3	7.7	9.28	11.05				
					38	3.71	4.71	5.86	7.17	8.66	10.33				
					43	3.45	4.39	5.48	6.72	8.13	9.7				
OP-MSIM080ML	114X7313 114X7319	W05 W09	A1+A2L	E	27	4.28	5.38	6.66	8.12	9.78	11.63	-	3.43	20	39
					32	4.02	5.08	6.3	7.7	9.28	11.05				
					38	3.71	4.71	5.86	7.17	8.66	10.33				
					43	3.45	4.39	5.48	6.72	8.13	9.7				
OP-MSXM080ML	114X7069 114X7203	W05 W09	A1	G	27	4.25	5.46	6.78	8.23	9.82	11.58	-	3.03	40	39
					32	3.95	5.13	6.41	7.8	9.33	11.03				
					38	3.56	4.70	5.92	7.25	8.71	10.33				
					43	3.22	4.32	5.5	6.77	8.17	9.72				
OP-MSIM080ML	114X7314 114X7320	W05 W09	A1+A2L	G	27	4.25	5.46	6.78	8.23	9.82	11.58	-	3.03	40	39
					32	3.95	5.13	6.41	7.8	9.33	11.03				
					38	3.56	4.70	5.92	7.25	8.71	10.33				
					43	3.22	4.32	5.5	6.77	8.17	9.72				

This table continues on the next page

MBP

(1) G - Compressor 230V/1Ph/50Hz, fan 230V/1Ph/50Hz
E - Compressor 400V/3Ph/50Hz, fan 230V/1Ph/50Hz

(2) Nominal conditions (EN13215), Evaporating temperatures at Mid point, Superheat 10K, Subcooling 0K

(3) Rated conditions (EN13215), Evaporating temperature (Mid) -10°C, Ambient air temperature +32°C, Return Gas Temperature 20°C, Subcooling 0K

Optyma™ Slim Pack - Performance data R134a MBP

Model	Code	Version	Refrigerant group	Electrical code (1)	Tamb [°C]	Cooling capacity Q [kW] (2)						EcoDesign (3)		Min Fuse rating gL/gG (A)	Sound pressure level @ 10m dB(A)
						Evaporating Temperature (Mid point) [°C]						COP	SEPR		
						-15°C	-10°C	-5°C	0°C	5°C	10°C				
OP-MSXM099ML	114X7071 114X7205	W05 W09	A1	E	27	5.32	6.67	8.26	10.09	12.14	14.39	-	3.8	20	39
					32	5.01	6.29	7.8	9.55	11.51	13.67				
					38	4.64	5.82	7.23	8.88	10.73	12.77				
					43	4.33	5.42	6.75	8.29	10.05	11.99				
OP-MSIM099ML	114X7315 114X7321	W05 W09	A1+A2L	E	27	5.32	6.67	8.26	10.09	12.14	14.39	-	3.8	20	39
					32	5.01	6.29	7.8	9.55	11.51	13.67				
					38	4.64	5.82	7.23	8.88	10.73	12.77				
					43	4.33	5.42	6.75	8.29	10.05	11.99				
OP-MSXM108ML	114X7072 114X7206	W05 W09	A1	E	27	5.63	7.05	8.7	10.6	12.72	15.06	-	3.74	20	39
					32	5.29	6.64	8.22	10.03	12.06	14.3				
					38	4.88	6.14	7.62	9.32	11.24	13.35				
					43	4.54	5.71	7.1	8.7	10.52	12.52				
OP-MSIM108ML	114X7316 114X7322	W05 W09	A1+A2L	E	27	5.63	7.05	8.7	10.6	12.72	15.06	-	3.74	20	39
					32	5.29	6.64	8.22	10.03	12.06	14.3				
					38	4.88	6.14	7.62	9.32	11.24	13.35				
					43	4.54	5.71	7.1	8.7	10.52	12.52				

MBP

(1) G - Compressor 230V/1Ph/50Hz, fan 230V/1Ph/50Hz
E - Compressor 400V/3Ph/50Hz, fan 230V/1Ph/50Hz

(2) Nominal conditions (EN13215), Evaporating temperatures at Mid point, Superheat 10K, Subcooling 0K

(3) Rated conditions (EN13215), Evaporating temperature (Mid) -10°C, Ambient air temperature +32°C, Return Gas Temperature 20°C, Subcooling 0K

Optyma™ Slim Pack - Performance data R513A MBP

Model	Code	Version	Refrigerant group	Electrical code (1)	Tamb [°C]	Cooling capacity Q [kW] (2)						EcoDesign (3)		Min Fuse rating gL/gG (A)	Sound pressure level @ 10m dB(A)
						Evaporating Temperature (Mid point) [°C]						COP	SEPR		
						-15°C	-10°C	-5°C	0°C	5°C	10°C				
OP-MSXM057ML	114X7065 114X7199	W05 W09	A1	G	27	3.14	3.88	4.75	5.73	6.85	8.1	2.11	-	32	38
					32	2.93	3.65	4.47	5.4	6.46	7.64				
					38	2.68	3.35	4.12	4.99	5.98	7.08				
					43	2.47	3.1	3.82	4.64	5.56	6.59				
OP-MSIM057ML	114X7273 114X7281	W05 W09	A1+A2L	G	27	3.14	3.88	4.75	5.73	6.85	8.10	2.11	-	32	38
					32	2.93	3.65	4.47	5.4	6.46	7.64				
					38	2.68	3.35	4.12	4.99	5.98	7.08				
					43	2.47	3.10	3.82	4.64	5.56	6.59				
OP-MSXM057ML	114X7066 114X7200	W05 W09	A1	E	27	3.19	3.95	4.83	5.83	6.95	8.2	2.37	-	16	38
					32	2.96	3.69	4.53	5.48	6.55	7.74				
					38	2.68	3.37	4.15	5.04	6.05	7.17				
					43	2.44	3.09	3.83	4.67	5.61	6.67				
OP-MSIM057ML	114X7272 114X7280	W05 W09	A1+A2L	E	27	3.19	3.95	4.83	5.83	6.95	8.2	2.37	-	16	38
					32	2.96	3.69	4.53	5.48	6.55	7.74				
					38	2.68	3.37	4.15	5.04	6.05	7.17				
					43	2.44	3.09	3.83	4.67	5.61	6.67				
OP-MSXM068ML	114X7067 114X7201	W05 W09	A1	G	27	3.93	4.84	5.92	7.17	8.6	10.24	2.31	-	40	39
					32	3.68	4.55	5.57	6.76	8.13	9.69				
					38	3.36	4.18	5.14	6.25	7.54	9				
					43	3.09	3.86	4.76	5.81	7.03	8.41				
OP-MSIM068ML	114X7312 114X7318	W05 W09	A1+A2L	G	27	3.93	4.84	5.92	7.17	8.6	10.24	2.31	-	40	39
					32	3.68	4.55	5.57	6.76	8.13	9.69				
					38	3.36	4.18	5.14	6.25	7.54	9				
					43	3.09	3.86	4.76	5.81	7.03	8.41				
OP-MSXM068ML	114X7068 114X7202	W05 W09	A1	E	27	3.99	4.92	6.03	7.31	8.79	10.4	2.52	-	16	39
					32	3.74	4.64	5.69	6.91	8.32	9.92				
					38	3.43	4.27	5.26	6.4	7.72	9.22				
					43	3.17	3.96	4.89	5.96	7.2	8.61				
OP-MSIM068ML	114X7311 114X7317	W05 W09	A1+A2L	E	27	3.99	4.92	6.03	7.31	8.79	10.4	2.52	-	16	39
					32	3.74	4.64	5.69	6.91	8.32	9.92				
					38	3.43	4.27	5.26	6.4	7.72	9.22				
					43	3.17	3.96	4.89	5.96	7.2	8.61				
OP-MSXM080ML	114X7069 114X7203	W05 W09	A1	G	27	4.59	5.67	6.95	8.43	10.13	12.04	-	3.24	40	39
					32	4.3	5.34	6.55	7.96	9.56	11.38				
					38	3.95	4.92	6.05	7.37	8.86	10.57				
					43	3.64	4.56	5.62	6.85	8.26	9.86				
OP-MSIM080ML	114X7314 114X7320	W05 W09	A1+A2L	G	27	4.59	5.67	6.95	8.43	10.13	12.04	-	3.24	40	39
					32	4.30	5.34	6.55	7.96	9.56	11.38				
					38	3.95	4.92	6.05	7.37	8.86	10.57				
					43	3.64	4.56	5.62	6.85	8.26	9.86				
OP-MSXM080ML	114X7070 114X7204	W05 W09	A1	E	27	4.66	5.75	7.02	8.49	10.17	12.07	-	3.89	20	39
					32	4.37	5.40	6.60	8.00	9.59	11.40				
					38	4.00	4.96	6.09	7.39	8.88	10.57				
					43	3.68	4.59	5.64	6.86	8.26	9.85				
OP-MSIM080ML	114X7313 114X7319	W05 W09	A1+A2L	E	27	4.66	5.75	7.02	8.49	10.17	12.07	-	3.89	20	39
					32	4.37	5.40	6.60	8.00	9.59	11.40				
					38	4.00	4.96	6.09	7.39	8.88	10.57				
					43	3.68	4.59	5.64	6.86	8.26	9.85				

This table continues on the next page

MBP

(1) **G** - Compressor 230V/1Ph/50Hz, fan 230V/1Ph/50Hz
E - Compressor 400V/3Ph/50Hz, fan 230V/1Ph/50Hz

(2) Nominal conditions (EN13215), Evaporating temperatures at Mid point, Superheat 10K, Subcooling 0K

(3) Rated conditions (EN13215), Evaporating temperature (Mid) -10°C, Ambient air temperature +32°C, Return Gas Temperature 20°C, Subcooling 0K

Optyma™ Slim Pack - Performance data R513A MBP

Model	Code	Version	Refrigerant group	Electrical code (1)	Tamb [°C]	Cooling capacity Q [kW] (2)						EcoDesign (3)		Min Fuse rating gL/gG (A)	Sound pressure level @ 10m dB(A)
						Evaporating Temperature (Mid point) [°C]						COP	SEPR		
						-15°C	-10°C	-5°C	0°C	5°C	10°C				
OP-MSXM099ML	114X7071 114X7205	W05 W09	A1	E	27	5.7	7.02	8.57	10.35	12.36	14.62	-	3.81	20	39
					32	5.33	6.59	8.05	9.73	11.64	13.78				
					38	4.88	6.05	7.41	8.97	10.75	12.75				
					43	4.49	5.59	6.86	8.32	9.98	11.86				
OP-MSIM099ML	114X7315 114X7321	W05 W09	A1+A2L	E	27	5.7	7.02	8.57	10.35	12.36	14.62	-	3.81	20	39
					32	5.33	6.59	8.05	9.73	11.64	13.78				
					38	4.88	6.05	7.41	8.97	10.75	12.75				
					43	4.49	5.59	6.86	8.32	9.98	11.86				
OP-MSXM108ML	114X7072 114X7206	W05 W09	A1	E	27	6.07	7.49	9.13	11.02	13.16	15.56	-	3.84	20	39
					32	5.65	7.00	8.56	10.36	12.39	14.67				
					38	5.12	6.39	7.86	9.53	11.43	13.57				
					43	4.68	5.87	7.25	8.82	10.61	12.63				
OP-MSIM108ML	114X7316 114X7322	W05 W09	A1+A2L	E	27	6.07	7.49	9.13	11.02	13.16	15.56	-	3.84	20	39
					32	5.65	7.00	8.56	10.36	12.39	14.67				
					38	5.12	6.39	7.86	9.53	11.43	13.57				
					43	4.68	5.87	7.25	8.82	10.61	12.63				

MBP

(1) **G** - Compressor 230V/1Ph/50Hz, fan 230V/1Ph/50Hz

E - Compressor 400V/3Ph/50Hz, fan 230V/1Ph/50Hz

(2) Nominal conditions (EN13215), Evaporating temperatures at Mid point, Superheat 10K, Subcooling 0K

(3) Rated conditions (EN13215), Evaporating temperature (Mid) -10°C, Ambient air temperature +32°C, Return Gas Temperature 20°C, Subcooling 0K

Optyma™ Slim Pack - Performance data R1234yf MBP

Model	Code	Version	Refrigerant group	Electrical code (1)	Tamb [°C]	Cooling capacity Q [kW] (2)							EcoDesign (3)		Min Fuse rating gL/gG (A)	Sound pressure level @ 10m dB(A)
						Evaporating Temperature (Mid point) [°C]							COP	SEPR		
						-15°C	-10°C	-5°C	0°C	5°C	10°C	15°C				
OP-MSSM012SC	114X7238 114X7291	W05 W09	A1 + A2L	G	27	0.57	0.72	0.89	1.09	1.32	1.58	1.87	1.76	-	10	31
					32	0.52	0.66	0.82	1.02	1.24	1.49	1.77				
					38	0.46	0.59	0.74	0.93	1.13	1.37	1.64				
					43	0.41	0.53	0.68	0.85	1.05	1.28	1.54				
OP-MSSM015SC	114X7239 114X7292	W05 W09	A1 + A2L	G	27	0.61	0.78	0.98	1.22	1.48	1.78	2.11	1.68	-	10	31
					32	0.58	0.74	0.93	1.15	1.40	1.68	1.99				
					38	0.53	0.68	0.86	1.06	1.29	1.55	1.83				
					43	0.48	0.62	0.79	0.98	1.19	1.43	1.70				
OP-MSSM018SC	114X7240 114X7293	W05 W09	A1 + A2L	G	27	0.78	0.97	1.18	1.43	1.70	2.02	2.37	1.65	-	10	32
					32	0.70	0.88	1.09	1.33	1.60	1.90	2.25				
					38	0.62	0.79	0.99	1.22	1.48	1.77	2.11				
					43	0.56	0.72	0.91	1.13	1.38	1.67	1.99				
OP-MSSM021SC	114X7241 114X7294	W05 W09	A1 + A2L	G	27	0.91	1.14	1.40	1.69	2.01	2.36	2.75	1.77	-	10	32
					32	0.83	1.05	1.30	1.58	1.89	2.23	2.61				
					38	0.74	0.95	1.18	1.44	1.74	2.07	2.43				
					43	0.67	0.86	1.08	1.33	1.61	1.92	2.26				
OP-MSSM026CS	114X7248 114X7304	W05 W09	A1 + A2L	G	27	1.09	1.40	1.76	2.15	2.57	3.04	3.53	1.94	-	10	38
					32	0.98	1.28	1.61	1.99	2.40	2.85	3.33				
					38	0.85	1.13	1.44	1.80	2.19	2.62	3.10				
					43	0.74	1.00	1.30	1.64	2.02	2.43	2.90				
OP-MSSM030CS	114X7249 114X7305	W05 W09	A1 + A2L	G	27	1.24	1.61	2.03	2.48	2.99	3.53	4.12	1.83	-	10	38
					32	1.12	1.47	1.86	2.30	2.79	3.31	3.89				
					38	0.97	1.30	1.67	2.08	2.54	3.05	3.61				
					43	0.86	1.16	1.51	1.90	2.34	2.84	3.38				

MBP
(1) G - Compressor 230V/1Ph/50Hz, fan 230V/1Ph/50Hz
E - Compressor 400V/3Ph/50Hz, fan 230V/1Ph/50Hz
(2) Nominal conditions (EN13215), Evaporating temperatures at Mid point, Superheat 10K, Subcooling 0K
(3) Rated conditions (EN13215), Evaporating temperature (Mid) -10°C, Ambient air temperature +32°C, Return Gas Temperature 20°C, Subcooling 0K

Optyma™ Slim Pack - Performance data R448A MBP

Model	Code	Version	Refrigerant group	Electrical code (1)	Tamb [°C]	Cooling capacity Q [kW] (2)							EcoDesign (3)		Min Fuse rating gL/gG (A)	Sound pressure level @ 10m dB(A)
						Evaporating Temperature (Mid point) [°C]							COP	SEPR		
						-20°C	-15°C	-10°C	-5°C	0°C	5°C	10°C				
OP-MSTM008DY	114X7226 114X7286	W05 W09	A1 + A2L	G	27	-	0.77	0.96	1.17	1.38	1.62	-	2.24	-	10	32
					32	-	0.68	0.86	1.05	1.25	1.46	-				
					38	-	0.58	0.73	0.90	1.08	1.28	-				
					43	-	-	0.63	0.78	0.95	1.13	-				
OP-MSTM009DY	114X7229 114X7287	W05 W09	A1 + A2L	G	27	-	0.87	1.08	1.29	1.52	1.75	-	2.04	-	10	32
					32	-	0.78	0.96	1.16	1.37	1.59	-				
					38	-	0.67	0.83	1.01	1.19	1.39	-				
					43	-	-	0.72	0.88	1.05	1.23	-				
OP-MSTM012DP	114X7230 114X7288	W05 W09	A1 + A2L	G	27	-	1.12	1.37	1.64	1.92	2.21	-	1.85	-	10	32
					32	-	0.99	1.22	1.47	1.72	1.99	-				
					38	-	0.85	1.05	1.26	1.49	1.74	-				
					43	-	-	0.90	1.10	1.3	1.53	-				
OP-MSTM014DP	114X7231 114X7289	W05 W09	A1 + A2L	G	27	-	1.18	1.43	1.70	1.98	2.27	-	1.78	-	10	33
					32	-	1.07	1.30	1.55	1.81	2.09	-				
					38	-	0.94	1.15	1.37	1.62	1.88	-				
					43	-	-	1.02	1.23	1.45	1.7	-				
OP-MSTM018DX	114X7232 114X7290	W05 W09	A1 + A2L	G	27	-	1.24	1.49	1.75	2.03	2.32	-	1.65	-	10	39
					32	-	1.13	1.36	1.60	1.86	2.14	-				
					38	-	1	1.21	1.43	1.67	1.92	-				
					43	-	-	1.08	1.28	1.5	1.74	-				
OP-MSTM022DS	114X7233 114X7299	W05 W09	A1 + A2L	G	27	-	1.8	2.20	2.64	3.14	3.68	-	1.9	-	10	39
					32	-	1.63	1.99	2.40	2.86	3.35	-				
					38	-	1.42	1.75	2.12	2.52	2.96	-				
					43	-	-	1.55	1.88	2.24	2.63	-				
OP-MSTM026DS	114X7234 114X7300	W05 W09	A1 + A2L	G	27	-	2.21	2.70	3.22	3.77	4.33	-	1.83	-	10	39
					32	-	1.95	2.40	2.87	3.37	3.89	-				
					38	-	1.64	2.03	2.45	2.9	3.37	-				
					43	-	-	1.73	2.11	2.51	2.94	-				
OP-MSTM026DS	114X7235 114X7301	W05 W09	A1 + A2L	E	27	-	2.23	2.73	3.26	3.8	4.38	-	1.79	-	10	39
					32	-	1.97	2.42	2.9	3.4	3.93	-				
					38	-	1.65	2.05	2.48	2.93	3.41	-				
					43	-	-	1.75	2.13	2.54	2.97	-				
OP-MSTM034DS	114X7237 114X7302	W05 W09	A1 + A2L	G	27	-	2.24	2.91	3.66	4.5	5.43	-	1.79	-	10	39
					32	-	2.01	2.63	3.34	4.12	5	-				
					38	-	1.72	2.29	2.94	3.67	4.48	-				
					43	-	-	2.00	2.61	3.28	4.05	-				
OP-MSTM034DS	114X7236 114X7303	W05 W09	A1 + A2L	E	27	-	2.27	2.94	3.7	4.54	5.48	-	1.75	-	10	39
					32	-	2.03	2.66	3.37	4.17	5.05	-				
					38	-	1.74	2.31	2.97	3.71	4.53	-				
					43	-	-	2.02	2.63	3.32	4.09	-				
OP-MSXM034ML	114X7062 114X7196	W05 W09	A1	E	27	2.59	3.21	3.90	4.7	5.58	6.58	-	2.29	-	10	38
					32	2.4	2.99	3.64	4.39	5.23	6.17	-				
					38	2.17	2.7	3.31	4.01	4.79	5.67	-				
					43	-	-	3.02	3.67	4.4	5.23	-				
OP-MSIM034ML	114X7266 114X7274	W05 W09	A1+A2L	E	27	2.59	3.21	3.90	4.7	5.58	6.58	-	2.29	-	10	38
					32	2.4	2.99	3.64	4.39	5.23	6.17	-				
					38	2.17	2.7	3.31	4.01	4.79	5.67	-				
					43	-	-	3.02	3.67	4.4	5.23	-				

This table continues on the next page

MBP
(1) G - Compressor 230V/1Ph/50Hz, fan 230V/1Ph/50Hz
E - Compressor 400V/3Ph/50Hz, fan 230V/1Ph/50Hz
(2) Nominal conditions (EN13215), Evaporating temperatures at Mid point, Superheat 10K, Subcooling 0K
(3) Rated conditions (EN13215), Evaporating temperature (Mid) -10°C, Ambient air temperature +32°C, Return Gas Temperature 20°C, Subcooling 0K

Optyma™ Slim Pack - Performance data R448A MBP

Model	Code	Version	Refrigerant group	Electrical code (1)	Tamb [°C]	Cooling capacity Q [kW] (2)							EcoDesign (3)		Min Fuse rating gL/gG (A)	Sound pressure level @ 10m dB(A)
						Evaporating Temperature (Mid point) [°C]							COP	SEPR		
						-20°C	-15°C	-10°C	-5°C	0°C	5°C	10°C				
OP-MSXM108ML	114X7072 114X7206	W05 W09	A1	E	27	8.02	9.85	11.88	14.19	16.69	19.49	-	-	3.63	20	39
					32	7.4	9.11	11.01	13.17	15.52	18.16	-				
					38	6.63	8.19	9.924	11.9	14.06	16.49	-				
					43	-	-	8.98	10.79	12.78	15.04	-				
OP-MSIM108ML	114X7316 114X7322	W05 W09	A1+A2L	E	27	8.02	9.85	11.88	14.19	16.69	19.49	-	-	3.63	20	39
					32	7.4	9.11	11.01	13.17	15.52	18.16	-				
					38	6.63	8.19	9.924	11.9	14.06	16.49	-				
					43	-	-	8.98	10.79	12.78	15.04	-				

MBP
(1) G - Compressor 230V/1Ph/50Hz, fan 230V/1Ph/50Hz
E - Compressor 400V/3Ph/50Hz, fan 230V/1Ph/50Hz
(2) Nominal conditions (EN13215), Evaporating temperatures at Mid point, Superheat 10K, Subcooling 0K
(3) Rated conditions (EN13215), Evaporating temperature (Mid) -10°C, Ambient air temperature +32°C, Return Gas Temperature 20°C, Subcooling 0K

Optyma™ Slim Pack - Performance data R449A MBP

Model	Code	Version	Refrigerant group	Electrical code (1)	Tamb [°C]	Cooling capacity Q [kW] (2)							EcoDesign (3)		Min Fuse rating gL/gG (A)	Sound pressure level @ 10m dB(A)
						Evaporating Temperature (Mid point) [°C]							COP	SEPR		
						-20°C	-15°C	-10°C	-5°C	0°C	5°C	10°C				
OP-MSYM009DY	114X7108 114X7133	W05 W09	A1	G	27	0.87	1.08	1.29	1.52	1.75	2	2	-	10	32	
					32	0.78	0.96	1.16	1.37	1.59	1.82					-
					38	0.67	0.83	1.01	1.19	1.39	1.6					-
					43	-	0.72	0.88	1.05	1.23	1.42					-
OP-MSTM009DY	114X7229 114X7287	W05 W09	A1 + A2L	G	27	0.87	1.08	1.29	1.52	1.75	2	2.04	-	10	32	
					32	0.78	0.96	1.16	1.37	1.59	1.82					-
					38	0.67	0.83	1.01	1.19	1.39	1.6					-
					43	-	0.72	0.88	1.05	1.23	1.42					-
OP-MSYM012DP	114X7109 114X7134	W05 W09	A1	G	27	1.12	1.37	1.64	1.92	2.21	2.5	1.99	-	10	34	
					32	0.99	1.22	1.47	1.72	1.99	2.27					-
					38	0.85	1.05	1.26	1.49	1.74	1.99					-
					43	-	0.90	1.1	1.3	1.53	1.76					-
OP-MSTM012DP	114X7230 114X7288	W05 W09	A1 + A2L	G	27	1.12	1.37	1.64	1.92	2.21	2.5	1.85	-	10	32	
					32	0.99	1.22	1.47	1.72	1.99	2.27					-
					38	0.85	1.05	1.26	1.49	1.74	1.99					-
					43	-	0.9	1.1	1.3	1.53	1.76					-
OP-MSYM014DP	114X7110 114X7135	W05 W09	A1	G	27	1.18	1.43	1.7	1.98	2.27	2.58	1.68	-	10	29	
					32	1.07	1.30	1.55	1.81	2.09	2.39					-
					38	0.94	1.15	1.37	1.62	1.88	2.15					-
					43	-	1.02	1.23	1.45	1.7	1.96					-
OP-MSTM014DP	114X7231 114X7289	W05 W09	A1 + A2L	G	27	1.18	1.43	1.7	1.98	2.27	2.58	1.78	-	10	33	
					32	1.07	1.30	1.55	1.81	2.09	2.39					-
					38	0.94	1.15	1.37	1.62	1.88	2.15					-
					43	-	1.02	1.23	1.45	1.7	1.96					-
OP-MSTM018DX	114X7232 114X7290	W05 W09	A1 + A2L	G	27	1.24	1.49	1.75	2.03	2.32	2.63	1.65	-	10	39	
					32	1.13	1.36	1.6	1.86	2.14	2.43					-
					38	1	1.21	1.43	1.67	1.92	2.2					-
					43	-	1.08	1.28	1.5	1.74	2					-
OP-MSBM018AJ	114X7111 114X7136	W05 W09	A1	G	27	1.15	1.47	1.85	2.29	2.79	3.36	2.05	-	10	33	
					32	1.05	1.35	1.70	2.12	2.58	3.12					-
					38	-	1.21	1.53	1.91	2.33	2.83					-
					43	-	-	1.38	1.73	2.13	2.58					-
OP-MSTM022DS	114X7233 114X7299	W05 W09	A1 + A2L	G	27	1.8	2.20	2.64	3.14	3.68	4.25	1.9	-	10	39	
					32	1.63	1.99	2.4	2.86	3.35	3.88					-
					38	1.42	1.75	2.12	2.52	2.96	3.44					-
					43	-	1.55	1.88	2.24	2.63	3.06					-
OP-MSBM024AJ	114X7097 114X7194	W05 W09	A1	G	27	1.43	1.86	2.35	2.92	3.55	4.27	2.22	-	16	33	
					32	1.29	1.69	2.15	2.68	3.27	3.94					-
					38	-	1.49	1.91	2.4	2.93	3.55					-
					43	-	-	1.71	2.16	2.66	3.23					-
OP-MSBM026AJ	114X7190 114X7083	W05 W09	A1	G	27	1.62	2.07	2.57	3.16	3.81	4.55	2.19	-	16	36	
					32	1.47	1.89	2.36	2.91	3.52	4.22					-
					38	-	1.68	2.11	2.62	3.17	3.81					-
					43	-	-	1.91	2.37	2.89	3.48					-
OP-MSBM026AJ	114X7093 114X7192	W05 W09	A1	E	27	1.6	2.07	2.58	3.18	3.84	4.59	2.09	-	10	36	
					32	1.44	1.88	2.37	2.93	3.55	4.26					-
					38	-	1.66	2.11	2.63	3.2	3.85					-
					43	-	-	1.89	2.38	2.91	3.51					-

MBP
(1) G - Compressor 230V/1~/50Hz, fan 230V/1~/50Hz
E - Compressor 400V/3~/50Hz, fan 230V/1~/50Hz
(2) Nominal conditions (EN13215), Evaporating temperatures at Mid point, Superheat 10K, Subcooling 0K
(3) Rated conditions (EN13215), Evaporating temperature (Mid point) -10°C, Ambient air temperature +32°C, Return Gas Temperature 20°C, Subcooling 0K

This table continues on the next page

Optyma™ Slim Pack - Performance data R452A MBP

Model	Code	Version	Refrigerant group	Electrical code (1)	Tamb [°C]	Cooling capacity Q [kW] (2)							EcoDesign (3)		Min Fuse rating gL/gG (A)	Sound pressure level @ 10m dB(A)
						Evaporating Temperature (Mid point) [°C]							COP	SEPR		
						-20°C	-15°C	-10°C	-5°C	0°C	5°C	10°C				
OP-MSXM080ML	114X7070 114X7204	W05 W09	A1	E	27	6.02	7.38	8.89	10.62	12.49	14.59	-	-	3.73	20	39
					32	5.52	6.78	8.18	9.79	11.55	13.52	-				
					38	4.89	6.03	7.30	8.76	10.37	12.17	-				
					43	4.35	5.38	6.54	7.87	-	-	-				
OP-MSIM080ML	114X7313 114X7319	W05 W09	A1+A2L	E	27	6.02	7.38	8.89	10.62	12.49	14.59	-	-	3.73	20	39
					32	5.52	6.78	8.18	9.79	11.55	13.52	-				
					38	4.89	6.03	7.30	8.76	10.37	12.17	-				
					43	4.35	5.38	6.54	7.87	-	-	-				
OP-MSXM080ML	114X7069 114X7203	W05 W09	A1	G	27	6.01	7.39	8.92	10.67	12.58	14.71	-	-	3.14	40	39
					32	5.53	6.80	8.22	9.85	11.63	13.63	-				
					38	4.92	6.07	7.35	8.82	10.45	12.27	-				
					43	4.41	5.44	6.60	7.93	-	-	-				
OP-MSIM080ML	114X7314 114X7320	W05 W09	A1+A2L	G	27	6.01	7.39	8.92	10.67	12.58	14.71	-	-	3.14	40	39
					32	5.53	6.80	8.22	9.85	11.63	13.63	-				
					38	4.92	6.07	7.35	8.82	10.45	12.27	-				
					43	4.41	5.44	6.60	7.93	-	-	-				
OP-MSXM099ML	114X7071 114X7205	W05 W09	A1	E	27	7.45	9.11	10.96	13.06	15.33	17.85	-	-	3.62	20	39
					32	6.85	8.38	10.09	12.03	14.13	16.48	-				
					38	6.11	7.47	8.98	10.72	12.62	14.74	-				
					43	5.46	6.67	8.02	9.57	-	-	-				
OP-MSIM099ML	114X7315 114X7321	W05 W09	A1+A2L	E	27	7.45	9.11	10.96	13.06	15.33	17.85	-	-	3.62	20	39
					32	6.85	8.38	10.09	12.03	14.13	16.48	-				
					38	6.11	7.47	8.98	10.72	12.62	14.74	-				
					43	5.46	6.67	8.02	9.57	-	-	-				
OP-MSXM108ML	114X7072 114X7206	W05 W09	A1	E	27	8.05	9.87	11.88	14.16	16.63	19.37	-	-	3.71	20	39
					32	7.35	9.03	10.89	13.00	15.30	17.85	-				
					38	6.49	7.98	9.63	11.54	13.62	15.94	-				
					43	5.74	7.07	8.55	10.27	-	-	-				
OP-MSIM108ML	114X7316 114X7322	W05 W09	A1+A2L	E	27	8.05	9.87	11.88	14.16	16.63	19.37	-	-	3.71	20	39
					32	7.35	9.03	10.89	13.00	15.30	17.85	-				
					38	6.49	7.98	9.63	11.54	13.62	15.94	-				
					43	5.74	7.07	8.55	10.27	-	-	-				

MBP
(1) G - Compressor 230V/1~/50Hz, fan 230V/1~/50Hz
E - Compressor 400V/3~/50Hz, fan 230V/1~/50Hz
(2) Nominal conditions (EN13215), Evaporating temperatures at Mid point, Superheat 10K, Subcooling 0K
(3) Rated conditions (EN13215), Evaporating temperature (Mid point) -10°C, Ambient air temperature +32°C, Return Gas Temperature 20°C, Subcooling 0K

Optyma™ Slim Pack - Performance data R404A/R507 MBP

Model	Code	Version	Refrigerant group	Electrical code (1)	Tamb [°C]	Cooling capacity Q [kW] (2)							EcoDesign (3)		Min Fuse rating gL/gG (A)	Sound pressure level @ 10m dB(A)
						Evaporating Temperature (Mid point) [°C]							COP	SEPR		
						-20°C	-15°C	-10°C	-5°C	0°C	5°C	10°C				
OP-MSTM008DY	114X7226 114X7286	W05 W09	A1 + A2L	G	27	0.59	0.75	0.92	1.12	1.32	1.54	1.77	2.06	-	10	32
					32	0.53	0.68	0.84	1.01	1.21	1.41	1.64				
					38	0.46	0.59	0.73	0.89	1.07	1.26	1.47				
					43	0.4	0.52	0.65	0.79	0.96	1.14	1.33				
OP-MSYM009DY	114X7108 114X7133	W05 W09	A1	G	27	-	0.82	1.01	1.22	1.45	1.69	-	2	-	10	32
					32	-	0.74	0.92	1.11	1.32	1.55	-				
					38	-	0.65	0.8	0.98	1.17	1.39	-				
					43	-	0.57	0.71	0.87	1.05	1.25	-				
OP-MSTM009DY	114X7229 114X7287	W05 W09	A1 + A2L	G	27	0.66	0.83	1.01	1.22	1.43	1.67	1.91	2.01	-	10	32
					32	0.59	0.75	0.92	1.11	1.31	1.53	1.76				
					38	0.52	0.66	0.81	0.98	1.16	1.37	1.58				
					43	0.46	0.58	0.72	0.87	1.04	1.23	1.44				
OP-MSTM012DP	114X7230 114X7288	W05 W09	A1 + A2L	G	27	0.89	1.11	1.35	1.6	1.87	2.15	2.44	1.83	-	10	32
					32	0.8	1.00	1.22	1.46	1.71	1.97	2.25				
					38	0.7	0.88	1.07	1.29	1.51	1.76	2.02				
					43	0.61	0.77	0.95	1.14	1.35	1.58	1.83				
OP-MSYM012DP	114X7109 114X7134	W05 W09	A1	G	27	-	1.12	1.37	1.64	1.92	2.22	-	2.02	-	10	34
					32	-	1.01	1.24	1.49	1.76	2.04	-				
					38	-	0.89	1.09	1.32	1.56	1.82	-				
					43	-	0.78	0.97	1.17	1.4	1.64	-				
OP-MSTM014DP	114X7231 114X7289	W05 W09	A1 + A2L	G	27	0.91	1.15	1.40	1.68	1.97	2.29	2.63	1.73	-	10	33
					32	0.84	1.05	1.28	1.54	1.82	2.12	2.44				
					38	0.74	0.93	1.14	1.37	1.63	1.91	2.22				
					43	0.66	0.83	1.02	1.24	1.48	1.74	2.03				
OP-MSYM014DP	114X7110 114X7135	W05 W09	A1	G	27	-	1.14	1.40	1.69	2.01	2.34	-	1.69	-	10	29
					32	-	1.04	1.28	1.55	1.85	2.17	-				
					38	-	0.92	1.14	1.39	1.66	1.96	-				
					43	-	0.82	1.02	1.25	1.5	1.78	-				
OP-MSTM018DX	114X7232 114X7290	W05 W09	A1 + A2L	G	27	0.96	1.21	1.47	1.76	2.07	2.4	2.75	1.64	-	10	39
					32	0.88	1.1	1.34	1.61	1.9	2.22	2.55				
					38	0.78	0.98	1.19	1.44	1.71	2	2.32				
					43	0.7	0.87	1.07	1.29	1.54	1.82	2.12				
OP-MSBM018AJ	114X7111 114X7136	W05 W09	A1	G	27	1.19	1.49	1.83	2.22	2.67	3.16	-	1.94	-	10	33
					32	1.08	1.36	1.67	2.03	2.44	2.9	-				
					38	-	-	1.49	1.81	2.17	2.57	-				
					43	-	-	1.33	1.62	1.94	2.3	-				
OP-MSTM022DS	114X7233 114X7299	W05 W09	A1 + A2L	G	27	1.44	1.81	2.23	2.71	3.24	3.83	4.47	1.87	-	10	39
					32	1.29	1.63	2.02	2.46	2.95	3.49	4.08				
					38	1.10	1.41	1.76	2.16	2.6	3.09	3.62				
					43	0.95	1.24	1.55	1.91	2.31	2.75	3.23				
OP-MSBM024AJ	114X7097 114X7194	W05 W09	A1	G	27	-	1.84	2.30	2.84	3.44	-	-	2.08	-	16	33
					32	-	1.654	2.08	2.57	3.13	-	-				
					38	-	1.432	1.82	2.26	2.75	-	-				
					43	-	1.248	1.60	2.00	2.45	-	-				
OP-MSBM026AJ	114X7093 114X7192	W05 W09	A1	E	27	1.61	2.04	2.54	3.10	3.72	4.41	-	1.96	-	10	36
					32	1.43	1.84	2.30	2.82	3.40	4.04	-				
					38	1.21	1.59	2.01	2.48	3.00	3.58	-				
					43	-	1.38	1.77	2.20	2.67	3.20	-				

MBP
(1) G - Compressor 230V/1~/50Hz, fan 230V/1~/50Hz
E - Compressor 400V/3~/50Hz, fan 230V/1~/50Hz
(2) Nominal conditions (EN13215), Evaporating temperatures at Mid point, Superheat 10K, Subcooling 0K
(3) Rated conditions (EN13215), Evaporating temperature (Mid point) -10°C, Ambient air temperature +32°C, Return Gas Temperature 20°C, Subcooling 0K

This table continues on the next page

Optyma™ Slim Pack - Performance data R404A/R507 MBP

Model	Code	Version	Refrigerant group	Electrical code (1)	Tamb [°C]	Cooling capacity Q [kW] (2)							EcoDesign (3)		Min Fuse rating gL/gG(A)	Sound pressure level @ 10m dB(A)
						Evaporating Temperature (Mid point) [°C]							COP	SEPR		
						-20°C	-15°C	-10°C	-5°C	0°C	5°C	10°C				
OP-MSBM026AJ	114X7083 114X7190	W05 W09	A1	G	27	1.64	2.05	2.53	3.08	3.7	4.38	-	2.05	-	16	36
					32	1.47	1.86	2.30	2.8	3.37	4	-				
					38	1.27	1.62	2.02	2.47	2.98	3.55	-				
					43	-	1.42	1.79	2.2	2.66	3.17	-				
OP-MSTM026DS	114X7234 114X7300	W05 W09	A1 + A2L	G	27	1.74	2.19	2.66	3.17	3.71	4.29	4.89	1.75	-	10	39
					32	1.55	1.95	2.39	2.86	3.37	3.91	4.48				
					38	1.31	1.67	2.07	2.49	2.96	3.46	4				
					43	1.12	1.44	1.8	2.19	2.62	3.09	3.59				
OP-MSTM026DS	114X7235 114X7301	W05 W09	A1 + A2L	E	27	1.76	2.21	2.69	3.2	3.75	4.33	4.94	1.715	-	10	39
					32	1.56	1.97	2.41	2.89	3.4	3.95	4.53				
					38	1.33	1.69	2.09	2.52	2.99	3.5	4.04				
					43	1.13	1.45	1.81	2.21	2.64	3.12	3.63				
OP-MSTM034DS	114X7237 114X7302	W05 W09	A1 + A2L	G	27	1.68	2.31	3.04	3.87	4.81	5.85	6.99	1.71	-	10	39
					32	1.47	2.05	2.74	3.51	4.4	5.38	6.47				
					38	1.21	1.74	2.36	3.08	3.9	4.81	5.83				
					43	0.98	1.47	2.05	2.71	3.47	4.33	5.29				
OP-MSTM034DS	114X7236 114X7303	W05 W09	A1 + A2L	E	27	1.7	2.33	3.07	3.91	4.85	5.9	7.06	1.67	-	10	39
					32	1.48	2.08	2.76	3.55	4.44	5.44	6.53				
					38	1.22	1.76	2.39	3.11	3.94	4.86	5.89				
					43	0.99	1.49	2.07	2.74	3.51	4.37	5.35				
OP-MSBM034AJ	114X7094 114X7193	W05 W09	A1	E	27	2.03	2.54	3.12	3.77	4.49	5.27	-	1.89	-	10	37
					32	1.82	2.3	2.84	3.44	4.1	4.83	-				
					38	1.57	2.01	2.5	3.04	3.64	4.29	-				
					43	-	1.77	2.21	2.71	3.25	3.84	-				
OP-MSBM034AJ	114X7084 114X7191	W05 W09	A1	G	27	2.03	2.56	3.17	3.84	4.59	5.41	-	1.83	-	16	37
					32	1.82	2.32	2.88	3.5	4.19	4.94	-				
					38	1.56	2.01	2.52	3.08	3.7	4.38	-				
					43	-	1.76	2.22	2.73	3.29	3.9	-				
OP-MSXM034ML	114X7062 114X7196	W05 W09	A1	E	27	2.52	3.1	3.76	4.49	5.3	6.19	-	2.13	-	10	38
					32	2.27	2.81	3.42	4.1	4.85	5.67	-				
					38	1.94	2.44	2.99	3.61	4.28	5.03	-				
					43	1.65	2.11	2.62	3.18	3.79	4.47	-				
OP-MSIM034ML	114X7266 114X7274	W05 W09	A1+A2L	E	27	2.52	3.1	3.76	4.49	5.3	6.19	-	2.13	-	10	38
					32	2.27	2.81	3.42	4.1	4.85	5.67	-				
					38	1.94	2.44	2.99	3.61	4.28	5.03	-				
					43	1.65	2.11	2.62	3.18	3.79	4.47	-				
OP-MSXM034ML	114X7061 114X7195	W05 W09	A1	G	27	2.61	3.17	3.81	4.52	5.32	6.2	-	2.09	-	25	38
					32	2.39	2.91	3.50	4.17	4.91	5.73	-				
					38	2.11	2.58	3.12	3.73	4.41	5.17	-				
					43	1.88	2.31	2.80	3.35	3.98	4.69	-				
OP-MSIM034ML	114X7267 114X7275	W05 W09	A1+A2L	G	27	2.61	3.17	3.81	4.52	5.32	6.2	-	2.09	-	25	38
					32	2.39	2.91	3.50	4.17	4.91	5.73	-				
					38	2.11	2.58	3.12	3.73	4.41	5.17	-				
					43	1.88	2.31	2.80	3.35	3.98	4.69	-				
OP-MSXM044ML	114X7162 114X7212	W05 W09	A1	E	27	3.26	3.95	4.72	5.59	6.55	7.6	-	2.08	-	16	38
					32	2.98	3.62	4.33	5.13	6.02	7	-				
					38	2.62	3.2	3.84	4.56	5.36	6.25	-				
					43	2.3	2.83	3.41	4.05	4.78	5.61	-				

This table continues on the next page

MBP

(1) G - Compressor 230V/1~/50Hz, fan 230V/1~/50Hz

E - Compressor 400V/3~/50Hz, fan 230V/1~/50Hz

(2) Nominal conditions (EN13215), Evaporating temperatures at Mid point, Superheat 10K, Subcooling 0K

(3) Rated conditions (EN13215), Evaporating temperature (Mid point) -10°C, Ambient air temperature +32°C, Return Gas Temperature 20°C, Subcooling 0K

Optyma™ Slim Pack - Performance data R404A/R507 MBP

Model	Code	Version	Refrigerant group	Electrical code (1)	Tamb [°C]	Cooling capacity Q [kW] (2)							EcoDesign (3)		Min Fuse rating gL/gG(A)	Sound pressure level @ 10m dB(A)
						Evaporating Temperature (Mid point) [°C]							COP	SEPR		
						-20°C	-15°C	-10°C	-5°C	0°C	5°C	10°C				
OP-MSIM044ML	114X7268 114X7276	W05 W09	A1+A2L	E	27	3.26	3.95	4.72	5.59	6.55	7.6	-	2.08	-	16	38
					32	2.98	3.62	4.33	5.13	6.02	7	-				
					38	2.62	3.2	3.84	4.56	5.36	6.25	-				
					43	2.3	2.83	3.41	4.05	4.78	5.61	-				
OP-MSXM044ML	114X7161 114X7211	W05 W09	A1	G	27	3.3	4	4.80	5.68	6.65	7.71	-	2.05	-	32	38
					32	3.01	3.66	4.39	5.21	6.11	7.1	-				
					38	2.65	3.23	3.89	4.62	5.44	6.34	-				
					43	2.33	2.85	3.45	4.11	4.85	5.68	-				
OP-MSIM044ML	114X7269 114X7277	W05 W09	A1+A2L	G	27	3.3	4	4.80	5.68	6.65	7.71	-	2.05	-	32	38
					32	3.01	3.66	4.39	5.21	6.11	7.1	-				
					38	2.65	3.23	3.89	4.62	5.44	6.34	-				
					43	2.33	2.85	3.45	4.11	4.85	5.68	-				
OP-MSXM046ML	114X7064 114X7198	W05 W09	A1	E	27	3.43	4.15	4.96	5.86	6.85	7.95	-	2.04	-	16	38
					32	3.13	3.8	4.54	5.37	6.29	7.31	-				
					38	2.75	3.35	4.01	4.76	5.59	6.52	-				
					43	2.41	2.95	3.55	4.22	4.98	5.83	-				
OP-MSIM046ML	114X7270 114X7278	W05 W09	A1+A2L	E	27	3.43	4.15	4.96	5.86	6.85	7.95	-	2.04	-	16	38
					32	3.13	3.8	4.54	5.37	6.29	7.31	-				
					38	2.75	3.35	4.01	4.76	5.59	6.52	-				
					43	2.41	2.95	3.55	4.22	4.98	5.83	-				
OP-MSXM046ML	114X7063 114X7197	W05 W09	A1	G	27	3.47	4.21	5.03	5.95	6.96	8.06	-	2	-	32	38
					32	3.17	3.85	4.61	5.45	6.39	7.41	-				
					38	2.78	3.39	4.07	4.83	5.67	6.6	-				
					43	2.44	2.98	3.6	4.28	5.05	5.9	-				
OP-MSIM046ML	114X7271 114X7279	W05 W09	A1+A2L	G	27	3.47	4.21	5.03	5.95	6.96	8.06	-	2	-	32	38
					32	3.17	3.85	4.61	5.45	6.39	7.41	-				
					38	2.78	3.39	4.07	4.83	5.67	6.6	-				
					43	2.44	2.98	3.6	4.28	5.05	5.9	-				
OP-MSXM057ML	114X7066 114X7200	W05 W09	A1	E	27	4.02	4.86	5.81	6.86	8.02	9.26	-	-	3.27	16	38
					32	3.66	4.43	5.30	6.27	7.33	8.48	-				
					38	3.23	3.91	4.67	5.53	6.47	7.5	-				
					43	2.85	3.45	4.13	4.88	5.73	6.68	-				
OP-MSIM057ML	114X7272 114X7280	W05 W09	A1+A2L	E	27	4.02	4.86	5.81	6.86	8.02	9.26	-	-	3.27	16	38
					32	3.66	4.43	5.30	6.27	7.33	8.48	-				
					38	3.23	3.91	4.67	5.53	6.47	7.5	-				
					43	2.85	3.45	4.13	4.88	5.73	6.68	-				
OP-MSXM057ML	114X7065 114X7199	W05 W09	A1	G	27	4.02	4.87	5.82	6.87	8.03	9.27	-	-	3.17	32	38
					32	3.67	4.44	5.31	6.28	7.34	8.49	-				
					38	3.23	3.91	4.68	5.53	6.48	7.51	-				
					43	2.85	3.45	4.13	4.89	5.72	6.64	-				
OP-MSIM057ML	114X7273 114X7281	W05 W09	A1+A2L	G	27	4.02	4.87	5.82	6.87	8.03	9.27	-	-	3.17	32	38
					32	3.67	4.44	5.31	6.28	7.34	8.49	-				
					38	3.23	3.91	4.68	5.53	6.48	7.51	-				
					43	2.85	3.45	4.13	4.89	5.72	6.64	-				
OP-MSXM068ML	114X7068 114X7202	W05 W09	A1	E	27	5.32	6.5	7.85	9.38	11.09	12.96	-	-	3.89	16	39
					32	4.88	5.98	7.24	8.67	10.28	12.05	-				
					38	4.33	5.33	6.48	7.79	9.26	10.91	-				
					43	3.85	4.76	5.81	7.01	8.37	9.91	-				

This table continues on the next page

MBP

(1) G - Compressor 230V/1~/50Hz, fan 230V/1~/50Hz

E - Compressor 400V/3~/50Hz, fan 230V/1~/50Hz

(2) Nominal

Optyma™ Slim Pack - Performance data R404A/R507 MBP

Model	Code	Version	Refrigerant group	Electrical code (1)	Tamb [°C]	Cooling capacity Q [kW] (2)							EcoDesign (3)		Min Fuse rating gL/gG(A)	Sound pressure level @ 10m dB(A)
						Evaporating Temperature (Mid point) [°C]							COP	SEPR		
						-20°C	-15°C	-10°C	-5°C	0°C	5°C	10°C				
OP-MSIM068ML	114X7311 114X7317	W05 W09	A1+A2L	E	27	5.32	6.5	7.85	9.38	11.09	12.96	-	-	3.89	16	39
					32	4.88	5.98	7.24	8.67	10.28	12.05	-				
					38	4.33	5.33	6.48	7.79	9.26	10.91	-				
					43	3.85	4.76	5.81	7.01	8.37	9.91	-				
OP-MSXM068ML	114X7067 114X7201	W05 W09	A1	G	27	5.33	6.51	7.86	9.39	11.09	12.97	-	-	3.81	40	39
					32	4.88	5.99	7.25	8.68	10.29	12.06	-				
					38	4.33	5.34	6.48	7.79	9.272	10.92	-				
					43	3.86	4.77	5.82	7.02	8.38	9.91	-				
OP-MSIM068ML	114X7312 114X7318	W05 W09	A1+A2L	G	27	5.33	6.51	7.86	9.39	11.09	12.97	-	-	3.81	40	39
					32	4.88	5.99	7.25	8.68	10.29	12.06	-				
					38	4.33	5.34	6.48	7.79	9.272	10.92	-				
					43	3.86	4.77	5.82	7.02	8.38	9.91	-				
OP-MSXM080ML	114X7069 114X7203	W05 W09	A1	G	27	6.11	7.52	9.10	10.84	12.71	14.71	-	-	3.34	40	39
					32	5.55	6.86	8.33	9.95	11.72	13.61	-				
					38	4.87	6.04	7.37	8.85	10.48	12.24	-				
					43	4.3	5.35	6.55	7.91	9.41	11.04	-				
OP-MSIM080ML	114X7314 114X7320	W05 W09	A1+A2L	G	27	6.11	7.52	9.10	10.84	12.71	14.71	-	-	3.34	40	39
					32	5.55	6.86	8.33	9.95	11.72	13.61	-				
					38	4.87	6.04	7.37	8.85	10.48	12.24	-				
					43	4.3	5.35	6.55	7.91	9.41	11.04	-				
OP-MSXM080ML	114X7070 114X7204	W05 W09	A1	E	27	6.28	7.62	9.15	10.86	12.77	14.85	-	-	3.89	20	39
					32	5.75	7	8.41	10	11.78	13.73	-				
					38	5.06	6.19	7.46	8.9	10.52	12.31	-				
					43	4.47	5.47	6.63	7.93	9.4	11.05	-				
OP-MSIM080ML	114X7313 114X7319	W05 W09	A1+A2L	E	27	6.28	7.62	9.15	10.86	12.77	14.85	-	-	3.89	20	39
					32	5.75	7	8.41	10	11.78	13.73	-				
					38	5.06	6.19	7.46	8.9	10.52	12.31	-				
					43	4.47	5.47	6.63	7.93	9.4	11.05	-				
OP-MSXM099ML	114X7071 114X7205	W05 W09	A1	E	27	7.34	8.89	10.63	12.55	14.67	16.97	-	-	3.38	20	39
					32	6.69	8.11	9.71	11.5	13.46	15.61	-				
					38	5.87	7.13	8.56	10.17	11.95	13.92	-				
					43	5.14	6.27	7.56	9.02	10.65	12.46	-				
OP-MSIM099ML	114X7315 114X7321	W05 W09	A1+A2L	E	27	7.34	8.89	10.63	12.55	14.67	16.97	-	-	3.38	20	39
					32	6.69	8.11	9.71	11.5	13.46	15.61	-				
					38	5.87	7.13	8.56	10.17	11.95	13.92	-				
					43	5.14	6.27	7.56	9.02	10.65	12.46	-				
OP-MSXM108ML	114X7072 114X7206	W05 W09	A1	E	27	7.91	9.55	11.38	13.39	15.61	18.04	-	-	3.32	20	39
					32	7.20	8.71	10.39	12.25	14.29	16.55	-				
					38	6.29	7.65	9.15	10.81	12.66	14.71	-				
					43	5.5	6.72	8.06	9.56	11.24	13.12	-				
OP-MSIM108ML	114X7316 114X7322	W05 W09	A1+A2L	E	27	7.91	9.55	11.38	13.39	15.61	18.04	-	-	3.32	20	39
					32	7.2	8.71	10.39	12.25	14.29	16.55	-				
					38	6.29	7.65	9.15	10.81	12.66	14.71	-				
					43	5.5	6.72	8.06	9.56	11.24	13.12	-				

MBP
(1) G - Compressor 230V/1~/50Hz, fan 230V/1~/50Hz
E - Compressor 400V/3~/50Hz, fan 230V/1~/50Hz
(2) Nominal conditions (EN13215), Evaporating temperatures at Mid point, Superheat 10K, Subcooling 0K
(3) Rated conditions (EN13215), Evaporating temperature (Mid point) -10°C, Ambient air temperature +32°C, Return Gas Temperature 20°C, Subcooling 0K

Optyma™ Slim Pack - Performance data R455A MBP

Model	Code	Version	Refrigerant group	Electrical code (1)	Tamb [°C]	Cooling capacity Q [kW] (2)							EcoDesign (3)		Min Fuse rating gL/gG(A)	Sound pressure level @ 10m dB(A)
						Evaporating Temperature (Mid point) [°C]							COP	SEPR		
						-20°C	-15°C	-10°C	-5°C	0°C	5°C	10°C				
OP-MSTM008DY	114X7226 114X7286	W05 W09	A1 + A2L	G	27	-	0.79	0.97	1.17	1.38	1.6	1.83	2.2	-	10	32
					32	-	0.71	0.87	1.05	1.25	1.46	1.68				
					38	-	0.61	0.76	0.92	1.1	1.29	1.49				
					43	-	0.53	0.66	0.81	0.97	1.15	1.34				
OP-MSTM009DY	114X7229 114X7287	W05 W09	A1 + A2L	G	27	-	0.94	1.15	1.38	1.62	1.87	2.13	2.11	-	10	32
					32	-	0.84	1.03	1.24	1.46	1.7	1.95				
					38	-	0.72	0.89	1.08	1.29	1.5	1.74				
					43	-	0.63	0.78	0.95	1.14	1.34	1.56				
OP-MSTM012DP	114X7230 114X7288	W05 W09	A1 + A2L	G	27	-	1.16	1.40	1.66	1.92	2.2	2.49	1.9	-	10	32
					32	-	1.04	1.26	1.5	1.75	2.01	2.28				
					38	-	0.91	1.10	1.31	1.54	1.78	2.03				
					43	-	0.79	0.97	1.16	1.36	1.59	1.82				
OP-MSTM014DP	114X7231 114X7289	W05 W09	A1 + A2L	G	27	-	1.22	1.47	1.74	2.02	2.32	2.64	1.82	-	10	33
					32	-	1.1	1.33	1.58	1.85	2.13	2.43				
					38	-	0.96	1.17	1.39	1.64	1.9	2.19				
					43	-	0.84	1.03	1.24	1.47	1.71	1.98				
OP-MSTM018DX	114X7232 114X7290	W05 W09	A1 + A2L	G	27	-	1.37	1.65	1.95	2.26	2.59	2.93	1.71	-	10	39
					32	-	1.23	1.49	1.77	2.06	2.37	2.7				
					38	-	1.07	1.30	1.55	1.82	2.1	2.41				
					43	-	0.93	1.14	1.37	1.62	1.89	2.17				
OP-MSTM022DS	114X7233 114X7299	W05 W09	A1 + A2L	G	27	-	1.85	2.25	2.7	3.19	3.72	4.3	2.02	-	10	39
					32	-	1.67	2.04	2.45	2.89	3.38	3.91				
					38	-	1.45	1.78	2.14	2.54	2.98	3.45				
					43	-	1.27	1.57	1.89	2.25	2.64	3.07				
OP-MSTM026DS	114X7234 114X7300	W05 W09	A1 + A2L	G	27	-	2.25	2.71	3.23	3.78	4.39	5.03	1.91	-	10	39
					32	-	2.02	2.45	2.92	3.43	3.98	4.57				
					38	-	1.76	2.14	2.56	3.01	3.5	4.02				
					43	-	1.54	1.89	2.26	2.66	3.1	3.57				
OP-MSTM026DS	114X7235 114X7301	W05 W09	A1 + A2L	E	27	-	2.27	2.74	3.26	3.82	4.43	5.08	1.87	-	10	39
					32	-	2.04	2.48	2.95	3.46	4.02	4.62				
					38	-	1.78	2.16	2.58	3.04	3.54	4.06				
					43	-	1.56	1.90	2.28	2.69	3.13	3.61				
OP-MSTM034DS	114X7237 114X7302	W05 W09	A1 + A2L	G	27	-	2.59	3.22	3.86	4.52	5.2	5.89	1.78	-	10	39
					32	-	2.33	2.90	3.49	4.09	4.73	5.38				
					38	-	2.02	2.52	3.04	3.59	4.17	4.76				
					43	-	1.77	2.21	2.68	3.17	3.7	4.25				
OP-MSTM034DS	114X7236 114X7303	W05 W09	A1 + A2L	E	27	-	2.63	3.27	3.92	4.58	5.27	5.96	1.83	-	10	39
					32	-	2.37	2.94	3.54	4.15	4.79	5.44				
					38	-	2.05	2.56	3.09	3.64	4.22	4.82				
					43	-	1.80	2.24	2.72	3.22	3.75	4.31				
OP-MSIM034ML	114X7267 114X7275	W05 W09	A1+A2L	G	27	2.74	3.37	4.09	4.90	5.80	6.79	7.88	-	2.5	25	38
					32	2.53	3.12	3.79	4.55	5.40	6.34	7.37				
					38	2.27	2.81	3.43	4.13	4.91	5.79	6.75				
					43	2.06	2.56	3.13	3.77	4.50	5.32	6.22				
OP-MSIM034ML	114X7266 114X7274	W05 W09	A1+A2L	E	27	2.77	3.40	4.12	4.94	5.85	6.87	7.98	-	2.59	10	38
					32	2.55	3.14	3.81	4.58	5.44	6.40	7.46				
					38	2.28	2.82	3.44	4.14	4.95	5.84	6.83				
					43	2.06	2.55	3.12	3.78	4.52	5.36	6.29				

MBP
(1) G - Compressor 230V/1Ph/50Hz, fan 230V/1Ph/50Hz
E - Compressor 400V/3Ph/50Hz, fan 230V/1Ph/50Hz
(2) Nominal conditions (EN13215), Evaporating temperatures at Mid point, Superheat 10K, Subcooling 0K
(3) Rated conditions (EN13215), Evaporating temperature (Mid Point) -10°C, Ambient air temperature +32°C, Return Gas Temperature 20°C, Subcooling 0K

This table continues on the next page

Optyma™ Slim Pack - Performance data R455A MBP

Model	Code	Version	Refrigerant group	Electrical code (1)	Tamb [°C]	Cooling capacity Q [kW] (2)							EcoDesign (3)		Min Fuse rating gL/gG (A)	Sound pressure level @ 10m dB(A)
						Evaporating Temperature (Mid point) [°C]							COP	SEPR		
						-20°C	-15°C	-10°C	-5°C	0°C	5°C	10°C				
OP-MSIM044ML	114X7269 114X7277	W05 W09	A1+A2L	G	27	3.38	4.15	5.03	6.01	7.10	8.30	9.60	-	2.26	32	38
					32	3.13	3.85	4.67	5.59	6.62	7.75	9.00				
					38	2.82	3.48	4.24	5.09	6.04	7.09	8.25				
					43	2.56	3.17	3.87	4.66	5.55	6.53	7.63				
OP-MSIM044ML	114X7268 114X7276	W05 W09	A1+A2L	G	27	3.51	4.28	5.16	6.14	7.21	8.39	9.66	-	2.43	32	38
					32	3.23	3.96	4.77	5.69	6.70	7.81	9.01				
					38	2.90	3.56	4.31	5.14	6.07	7.09	8.21				
					43	2.62	3.23	3.91	4.68	5.54	6.49	7.54				
OP-MSIM046ML	114X7271 114X7279	W05 W09	A1+A2L	G	27	3.56	4.36	5.26	6.27	7.38	8.61	9.93	-	2.24	32	38
					32	3.28	4.02	4.86	5.80	6.85	8.01	9.26				
					38	2.93	3.60	4.37	5.23	6.20	7.26	8.44				
					43	2.64	3.26	3.96	4.75	5.65	6.64	7.74				
OP-MSIM046ML	114X7270 114X7278	W05 W09	A1+A2L	E	27	3.63	4.44	5.34	6.35	7.46	8.68	10.00	-	2.4	16	38
					32	3.33	4.08	4.92	5.86	6.90	8.05	9.30				
					38	2.96	3.64	4.41	5.27	6.23	7.29	8.45				
					43	2.65	3.27	3.97	4.77	5.65	6.63	7.72				
OP-MSIM057ML	114X7272 114X7280	W05 W09	A1+A2L	E	27	4.32	5.26	6.30	7.44	8.69	10.03	11.44	-	3.52	16	38
					32	3.93	4.80	5.77	6.83	8.00	9.26	10.61				
					38	3.46	4.25	5.13	6.10	7.15	8.31	9.56				
					43	3.06	3.78	4.58	5.47	6.44	7.51	8.66				
OP-MSIM057ML	114X7273 114X7281	W05 W09	A1+A2L	G	27	4.32	5.25	6.29	7.44	8.71	10.08	11.52	-	3.36	32	38
					32	3.96	4.82	5.79	6.85	8.04	9.31	10.69				
					38	3.52	4.29	5.17	6.13	7.20	8.37	9.64				
					43	3.15	3.85	4.64	5.52	6.49	7.57	8.74				
OP-MSIM068ML	114X7311 114X7317	W05 W09	A1+A2L	E	27	5.58	6.81	8.22	9.81	11.59	13.55	15.72	-	4.28	16	40
					32	5.13	6.28	7.60	9.10	10.77	12.62	14.68				
					38	4.58	5.64	6.84	8.22	9.77	11.49	13.39				
					43	4.12	5.09	6.20	7.47	8.91	10.53	12.31				
OP-MSIM068ML	114X7312 114X7318	W05 W09	A1+A2L	G	27	5.62	6.87	8.31	9.92	11.71	13.68	15.85	-	4.11	40	40
					32	5.16	6.34	7.68	9.20	10.89	12.75	14.82				
					38	4.61	5.69	6.93	8.32	9.88	11.62	13.55				
					43	4.15	5.15	6.28	7.58	9.04	10.66	12.46				
OP-MSIM080ML	114X7313 114X7319	W05 W09	A1+A2L	E	27	6.49	7.88	9.46	11.23	13.17	15.32	17.63	-	4.16	20	40
					32	5.95	7.26	8.73	10.39	12.22	14.24	16.42				
					38	5.30	6.49	7.84	9.36	11.05	12.90	14.95				
					43	4.75	5.84	7.09	8.49	10.05	11.78	13.70				
OP-MSIM080ML	114X7314 114X7320	W05 W09	A1+A2L	G	27	6.31	7.69	9.24	10.97	12.87	14.95	17.20	-	3.72	40	40
					32	5.84	7.12	8.57	10.18	11.96	13.90	16.04				
					38	5.27	6.44	7.75	9.23	10.86	12.64	14.62				
					43	4.79	5.85	7.06	8.41	9.92	11.57	13.41				
OP-MSIM099ML	114X7315 114X7321	W05 W09	A1+A2L	E	27	7.71	9.38	11.25	13.30	15.56	17.98	20.53	-	3.86	20	40
					32	7.08	8.62	10.35	12.26	14.36	16.62	19.06				
					38	6.31	7.70	9.26	10.99	12.88	14.96	17.20				
					43	5.67	6.93	8.34	9.91	11.64	13.55	15.62				
OP-MSIM108ML	114X7316 114X7322	W05 W09	A1+A2L	E	27	8.33	10.09	12.04	14.20	16.54	19.06	21.67	-	3.74	20	40
					32	7.61	9.24	11.06	13.05	15.24	17.60	20.07				
					38	6.74	8.21	9.85	11.66	13.66	15.82	18.15				
					43	6.01	7.34	8.83	10.48	12.29	14.30	16.47				

MBP

(1) G - Compressor 230V/1Ph/50Hz, fan 230V/1Ph/50Hz
 E - Compressor 400V/3Ph/50Hz, fan 230V/1Ph/50Hz

(2) Nominal conditions (EN13215), Evaporating temperatures at Mid point, Superheat 10K, Subcooling 0K

(3) Rated conditions (EN13215), Evaporating temperature (Mid Point) -10°C, Ambient air temperature +32°C, Return Gas Temperature 20°C, Subcooling 0K

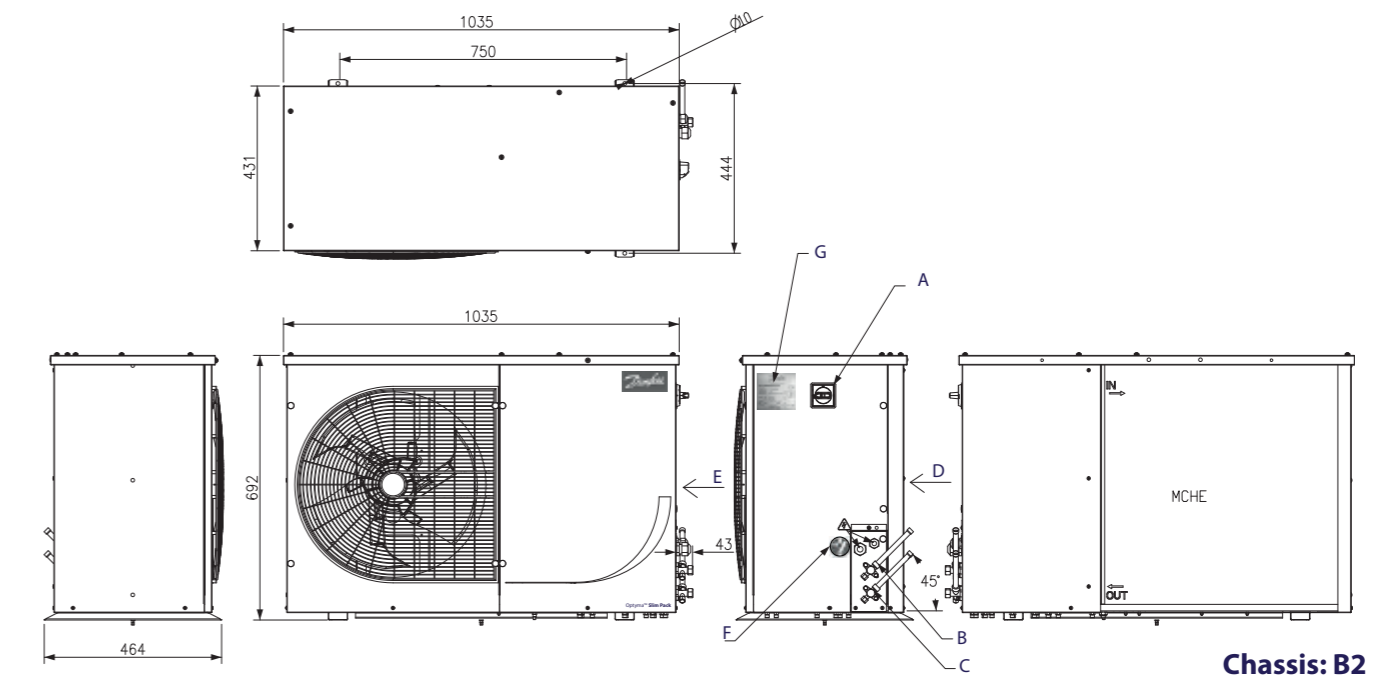
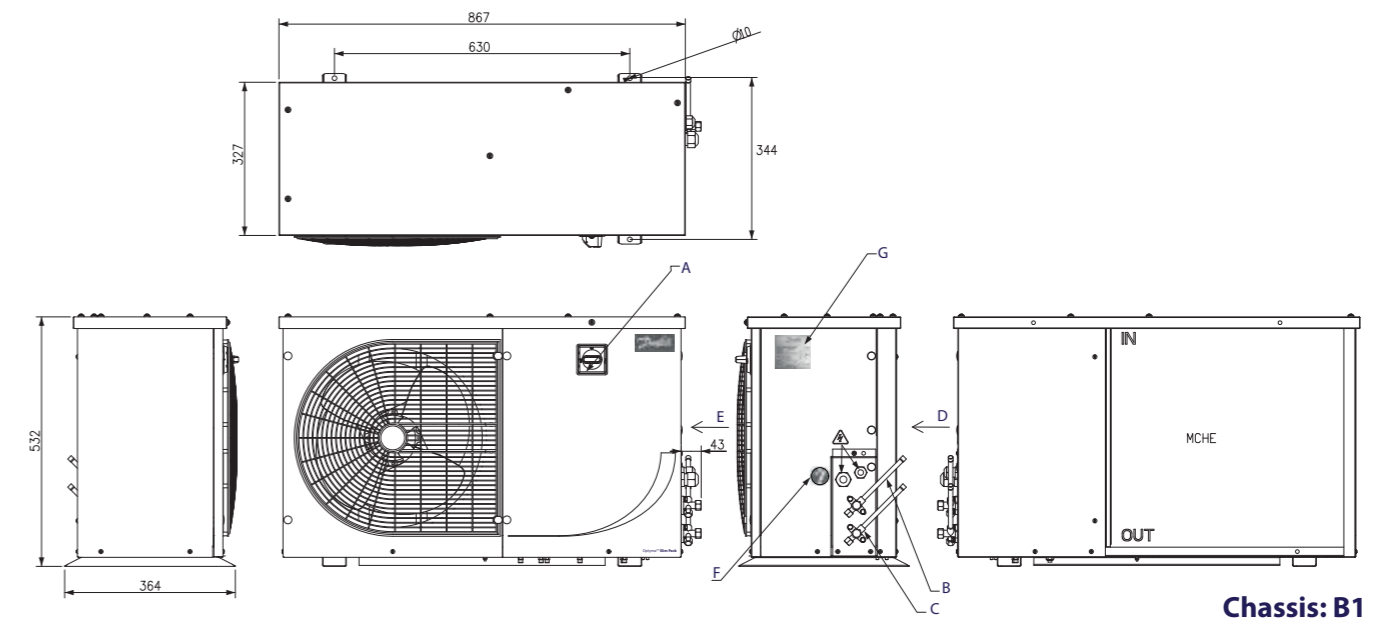
Optyma™ Slim Pack - Performance data R454C MBP

Model	Code	Version	Refrigerant group	Electrical code (1)	Tamb [°C]	Cooling capacity Q [kW] (2)							EcoDesign (3)		Min Fuse rating gL/gG (A)	Sound pressure level @ 10m dB(A)
						Evaporating Temperature (Mid point) [°C]							COP	SEPR		
						-20°C	-15°C	-10°C	-5°C	0°C	5°C	10°C				
OP-MSTM008DY	114X7226 114X7286	W05 W09	A1 + A2L	G	27	-	0.70	0.87	1.06	1.26	1.47	1.69	2.1	-	10	32
					32	-	0.63	0.79	0.96	1.15	1.35	1.55				
					38	-	0.55	0.69	0.84	1.01	1.2	1.38				
					43	-	-	0.61	0.75	0.9	1.08	1.24				
OP-MSTM009DY	114X7229 114X7287	W05 W09	A1 + A2L	G	27	-	0.77	0.95	1.15	1.36	1.58	1.81	2.02	-	10	32
					32	-	0.7	0.86	1.04	1.24	1.45	1.66				
					38	-	0.61	0.76	0.92	1.1	1.29	1.48				
					43	-	-	0.67	0.82	0.98	1.16	1.33				
OP-MSTM012DP	114X7230 114X7288	W05 W09	A1 + A2L	G	27	-	1.05	1.28	1.52	1.77	2.04	2.31	1.81	-	10	32
					32	-	0.95	1.16	1.38	1.62	1.87	2.11				
					38	-	0.83	1.02	1.22	1.43	1.66	1.88				
					43	-	-	0.9	1.08	1.28	1.49	1.69				
OP-MSTM014DP	114X7231 114X7289	W05 W09	A1 + A2L	G	27	-	1.09	1.32	1.57	1.84	2.12	2.42	1.70	-	10	33
					32	-	0.98	1.20	1.43	1.68	1.95	2.23				
					38	-	0.85	1.05	1.26	1.49	1.74	2.01				
					43	-	-	0.93	1.12	1.34	1.57	1.82				
OP-MSTM018DX	114X7232 114X7290	W05 W09	A1 + A2L	G	27	-	1.19	1.47	1.76	2.07	2.40	2.74	1.65	-	10	39
					32	-	1.06	1.31	1.58	1.87	2.18	2.50				
					38	-	0.91	1.13	1.37	1.63	1.91	2.21				
					43	-	0.78	0.98	1.19	1.43	1.68	1.97				
OP-MSTM022DS	114X7233 114X7299	W05 W09	A1 + A2L	G	27	-	1.64	2.00	2.42	2.88	3.38	3.92	1.93	-	10	39
					32	-	1.48	1.81	2.19	2.61	3.08	3.57				
					38	-	1.29	1.59	1.93	2.30	2.71	3.16				
					43	-	-	1.40	1.71	2.04	2.41	2.82				
OP-MSTM026DS	114X7234 114X7300	W05 W09	A1 + A2L	G	27	-	2.00	2.43	2.91	3.44	4.01	4.63	1.82	-	10	39
					32	-	1.80	2.20	2.64	3.12	3.64	4.21				
					38	-	1.57	1.92	2.32	2.74	3.21	3.72				
					43	-	-	1.70	2.05	2.43	2.85	3.30				
OP-MSTM026DS	114X7235 114X7301	W05 W09	A1 + A2L	E	27	-	2.03	2.50	2.99	3.52	4.07	4.62	2.18	-	10	39
					32	-	1.81	2.24	2.70	3.19	3.72	4.21				
					38	-	1.55	1.94	2.36	2.81	3.29	3.71				
					43	-	-	1.69	2.07	2.48	2.93	3.30				
OP-MSTM034DS	114X7237 114X7302	W05 W09	A1 + A2L	G	27	-	2.15	2.71	3.27	3.85	4.46	5.11	1.67	-	10	39
					32	-	1.94	2.44	2.96	3.49	4.05	4.67				
					38	-	1.69	2.12	2.58	3.06	3.57	4.13				
					43	-	-	1.86	2.27	2.70	3.17	3.69				
OP-MSTM034DS	114X7236 114X7303	W05 W09	A1 + A2L	E	27	-	2.18	2.74	3.31	3.89	4.50	5.11	1.72	-	10	39
					32	-	1.96	2.47	2.99	3.53	4.09	4.67				
					38	-	1.71	2.15	2.61	3.09	3.60	4.13				
					43	-	-	1.89	2.30	2.73	3.20	3.69				
OP-MSIM034ML	114X7266 114X7274	W05 W09	A1+A2L	E	27	2.43	3.01	3.66	4.42	5.27	6.21	7.26	-	2.51	10	38
					32	2.24	2.78	3.40	4.11	4.91	5.80	6.80				
					38	2.01	2.50	3.07	3.72	4.47	5.30	6.23				
					43	1.82	2.27	2.79	3.40	4.09	4.87	5.75				
OP-MSIM034ML	114X7267 114X7275	W05 W09	A1+A2L	G	27	2.47	3.05	3.73	4.49	5.35	6.30	7.34	-	2.42	25	38
					32	2.28	2.83	3.46	4.18	4.99	5.88	6.88				
					38	2.05	2.56	3.14	3.80	4.54	5.38	6.30				
					43	1.86	2.33	2.86	3.47	4.17	4.95	5.82				

Optyma™ Slim Pack - Performance data R454C MBP

Model	Code	Version	Refrigerant group	Electrical code (1)	Tamb [°C]	Cooling capacity Q [kW] (2)							EcoDesign (3)		Min Fuse rating gL/gG (A)	Sound pressure level @ 10m dB(A)
						Evaporating Temperature (Mid point) [°C]							COP	SEPR		
						-20°C	-15°C	-10°C	-5°C	0°C	5°C	10°C				
OP-MSIM044ML	114X7269 114X7277	W05 W09	A1+A2L	G	27	2.99	3.70	4.51	5.43	6.46	7.59	8.84	-	2.29	32	38
					32	2.77	3.44	4.20	5.07	6.03	7.11	8.30				
					38	2.51	3.12	3.82	4.62	5.52	6.52	7.63				
OP-MSIM044ML	114X7268 114X7276	W05 W09	A1+A2L	E	27	3.11	3.83	4.65	5.57	6.58	7.70	8.93	-	2.43	16	38
					32	2.87	3.55	4.31	5.17	6.12	7.18	8.34				
					38	2.59	3.20	3.90	4.68	5.56	6.54	7.62				
OP-MSIM046ML	114X7271 114X7279	W05 W09	A1+A2L	G	27	3.18	3.91	4.75	5.70	6.76	7.92	9.20	-	2.29	32	38
					32	2.93	3.62	4.40	5.29	6.28	7.38	8.60				
					38	2.63	3.25	3.97	4.79	5.71	6.73	7.86				
OP-MSIM046ML	114X7270 114X7278	W05 W09	A1+A2L	E	27	3.25	3.99	4.84	5.79	6.85	8.02	9.20	-	2.41	16	38
					32	2.99	3.68	4.47	5.36	6.35	7.46	8.65				
					38	2.66	3.30	4.02	4.83	5.74	6.75	7.94				
OP-MSIM057ML	114X7272 114X7280	W05 W09	A1+A2L	E	27	3.82	4.68	5.65	6.73	7.92	9.21	10.60	-	3.72	16	38
					32	3.48	4.29	5.20	6.20	7.30	8.52	9.83				
					38	3.08	3.81	4.63	5.55	6.57	7.69	8.90				
OP-MSIM057ML	114X7273 114X7281	W05 W09	A1+A2L	G	27	3.84	4.70	5.67	6.76	7.97	9.28	10.71	-	3.45	32	38
					32	3.53	4.33	5.23	6.24	7.36	8.60	9.93				
					38	3.16	3.88	4.69	5.61	6.62	7.75	8.98				
OP-MSIM068ML	114X7312 114X7318	W05 W09	A1+A2L	G	27	4.85	5.98	7.27	8.74	10.39	12.22	14.24	-	3.82	40	40
					32	4.47	5.52	6.74	8.12	9.68	11.41	13.32				
					38	4.00	4.97	6.09	7.36	8.80	10.41	12.20				
OP-MSIM068ML	114X7311 114X7317	W05 W09	A1+A2L	E	27	4.94	6.07	7.37	8.86	10.53	12.38	14.42	-	4.26	16	40
					32	4.55	5.61	6.83	8.22	9.80	11.55	13.49				
					38	4.08	5.05	6.17	7.45	8.90	10.53	12.35				
OP-MSIM080ML	114X7314 114X7320	W05 W09	A1+A2L	G	27	5.51	6.76	8.18	9.78	11.55	13.50	15.63	-	3.5	40	40
					32	5.11	6.28	7.60	9.10	10.76	12.59	14.61				
					38	4.61	5.68	6.90	8.27	9.79	11.48	13.33				
OP-MSIM080ML	114X7313 114X7319	W05 W09	A1+A2L	E	27	5.77	7.06	8.53	10.19	12.04	14.09	16.31	-	4.23	20	40
					32	5.30	6.51	7.89	9.45	11.19	13.10	15.23				
					38	4.74	5.84	7.10	8.53	10.14	11.92	13.90				
OP-MSIM099ML	114X7315 114X7321	W05 W09	A1+A2L	E	27	6.83	8.37	10.12	12.06	14.18	16.52	19.03	-	3.86	20	40
					32	6.28	7.72	9.34	11.14	13.12	15.31	17.66				
					38	5.63	6.92	8.38	10.02	11.82	13.82	15.98				
OP-MSIM108ML	114X7316 114X7322	W05 W09	A1+A2L	E	27	7.37	9.00	10.83	12.85	15.09	17.51	20.12	-	3.78	20	40
					32	6.76	8.27	9.97	11.85	13.94	16.21	18.67				
					38	6.01	7.38	8.91	10.63	12.52	14.62	16.88				
					43	5.38	6.62	8.02	9.59	11.33	13.26	15.37				

Optyma™ Slim Pack - Dimensions



- A Isolator Switch (W09 only)
 - B Suction Valve
 - C Liquid Valve
 - D Air in
 - E Air out
 - F Door safety Label
 - G Name Plate
 - Electrical Cables
- Note: all dimension are in mm

MBP
 (1) G - Compressor 230V/1Ph/50Hz, fan 230V/1Ph/50Hz
 E - Compressor 400V/3Ph/50Hz, fan 230V/1Ph/50Hz
 (2) Nominal conditions (EN13215), Evaporating temperatures at Mid point, Superheat 10K, Subcooling 0K
 (3) Rated conditions (EN13215), Evaporating temperature (Mid Point) -10°C, Ambient air temperature +32°C, Return Gas Temperature 20°C, Subcooling 0K



You are welcome to contact us using the following information

Phone: 0812058228

E-mail: info@kruff.se

WWW.KRUFF.SE