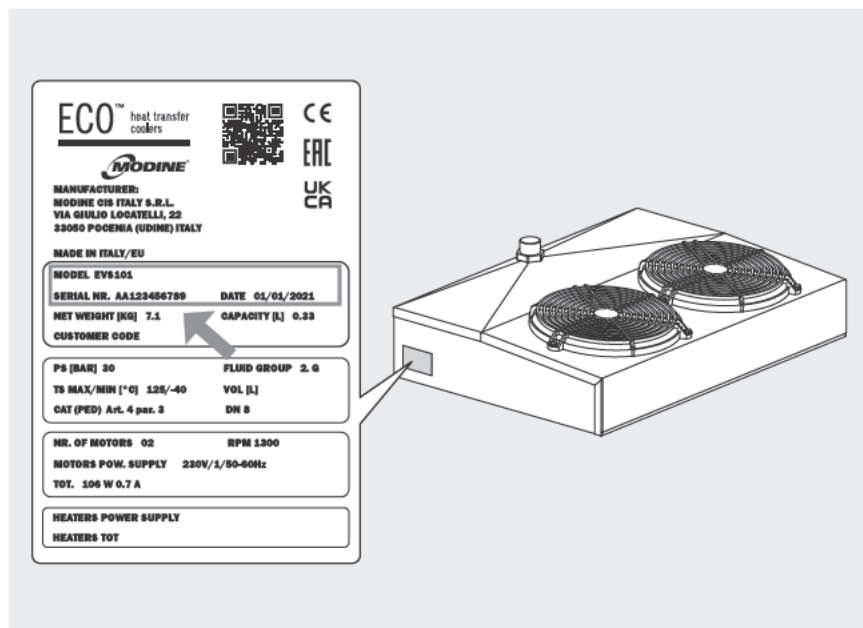


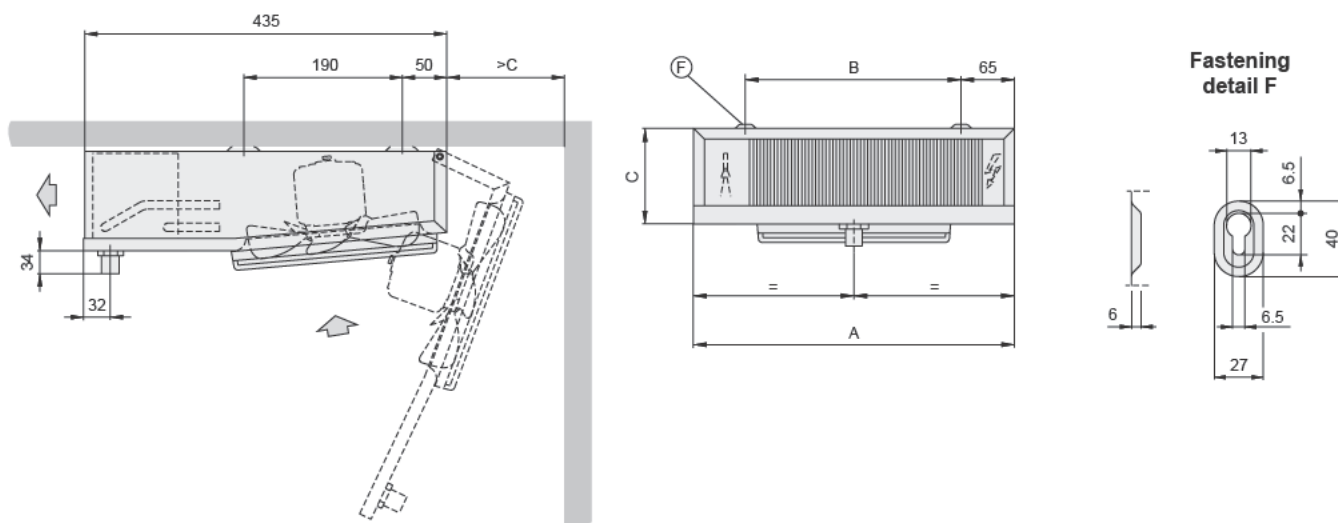
EVS

QUICK GUIDE

This document is a concise version of the model manual. This document is not meant to be a replacement of the manual. To download the full manual please scan the QRcode below or locate the data label on the model and scan the QRcode.



Construction and dimensional features



Model	EVS	41	61	101	131	201 (*)	271 (*)	181 (*)	291 (*)	391 (*)	521 (*)
	EVS / B	41 / B	61 / B	101 / B	131 / B (*)	201 / B (*)	271 / B (*)	181 / B (*)	291 / B (*)	391 / B (*)	521 / B (*)
Motorfans	n° x Ø mm	1x200	1x200	2x200	2x200	2x200	2x200	3x200	3x200	3x200	4x200
Dimensions	A [mm]	411	411	611	611	611	611	861	1111	1111	1461
	B [mm]	271	271	471	471	471	471	721	971	971	1321
	C [mm]	120	120	120	120	120	170	170	120	120	170
Coil connections	In [mm]	9.52	9.52	9.52	9.52	1/2 SAE	1/2 SAE	1/2 SAE	1/2 SAE	1/2 SAE	1/2 SAE
	Out [mm]	9.52	9.52	9.52	9.52	16	16	16	16	16	16
Drain connection	Ø (GAS)	1/2	1/2	1/2	1/2	1/2	1/2	1/2	1/2	1/2	1/2
Net weight	kg	4.3	4.9	7.1	7.7	7.7	10.7	13.8	11.1	12.1	23.0

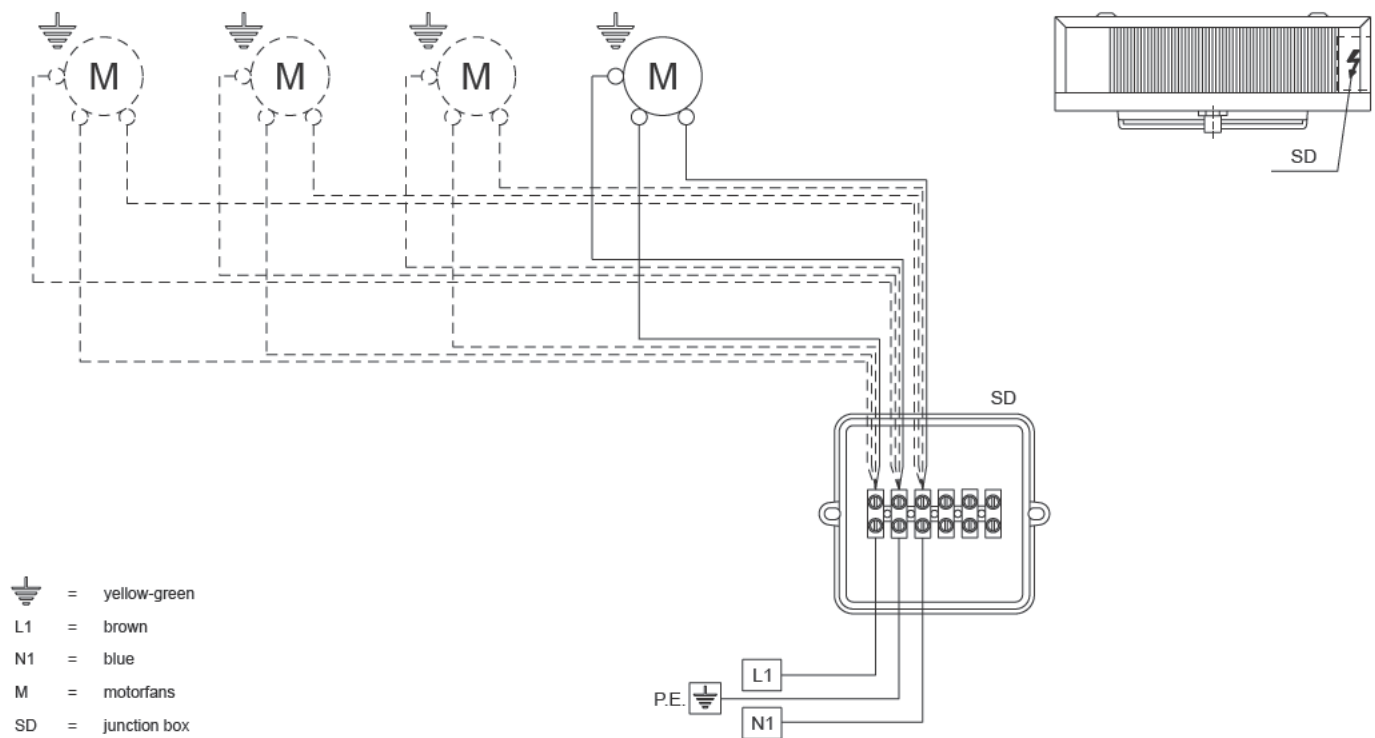
(*) Use thermostatic valve with external pressure equalizer

Wiring diagrams

Motor-fan connection diagram (standard on EVS/B models only)

Important. The motors are equipped with inner thermal protection with automatic reconnection. Before using motor speed control systems verify the compatibility with the motors. Non compatible systems may damage motors or increase noise level; Modine will not be responsible for model performance with speed control systems. For fans equipped with thermal contacts (TK), these must be connected to the control circuit. For models supplied with wiring in a junction box, remove the cover to make the connection.

Model	EVS EVS / B	41 41 / B	61 61 / B	101 101 / B	131 131 / B	201 201 / B	271 271 / B	181 181 / B	291 291 / B	391 391 / B	521 521 / B
Motorfans	n° x Ø mm	1x200	1x200	2x200	2x200	2x200	2x200	3x200	3x200	3x200	4x200
Frequency	Hz	50 60	50 60	50 60	50 60	50 60	50 60	50 60	50 60	50 60	50 60
Electrical consumption	A	0.35	0.35	0.7	0.7	0.7	0.7	1.05	1.05	1.05	1.40
	W	53	53	106	106	106	106	159	159	159	212
RPM		1300	1300	1300	1300	1300	1300	1300	1300	1300	1300



Modine CIS Italy S.r.l.
 33050 Pocenia - Udine - Italy
 Via Giulio Locatelli, 22
 Tel. +39 0432.772.001
 Fax +39 0432.779.594
 www.modine.com

Link to user manuals:



<https://www.modinecoolers.com/documents/>