

Diameter:

250 mm

R09R-2525A-2M-3551

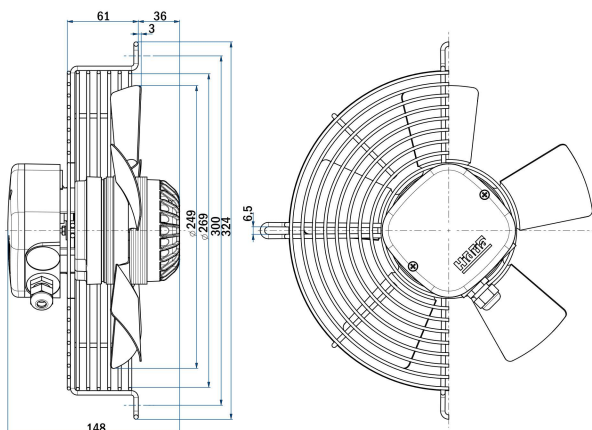


**Nominal data according to UL standard:**

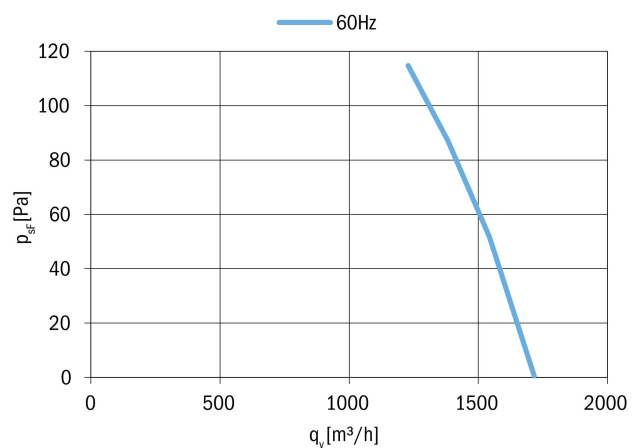
Phase	1~
Nominal voltage	230 V
Frequency	60 Hz
Rated power input	145 W
Rated current	0.65 A
Rated speed	3015 RPM
Min. ambient temperature	-30 °C
Max. ambient temperature	65 °C
Sound power level A weighted	73 dB (A)
Condensator	2 µF/450 V
Connection	terminal box
Insulation class	F
Protection class	IP54
UL file	E250222

**Fan with guard grill**

Airflow Direction	Type	Code	Weight (kg)
Sucking	R09R-2525A-2M-3551	0309-4-0509	2.9
Blowing	R09R-2525P-2M-3551	On request	



**Aerodynamic characteristic**



Fan characteristic measured in short bell mouth with guard grill.

**Fan with plate**

Airflow Direction	Type	Code	Weight (kg)
Sucking	R09P-2525A-2M-3551	On request	
Blowing	R09P-2525P-2M-3551	On request	

**Fan without guard grill**

Airflow Direction	Type	Code	Weight (kg)
Sucking	R09E-2525A-2M-3551	On request	
Blowing	R09E-2525P-2M-3551	On request	

**General notes**

Connection diagrams:		
Sucking	0301-1-0043	See section
Blowing	0301-1-0044	Connection diagrams
Guard grills & wall-plates	See section Accessories	
Standards compliance	See introduction page	