



Condensing unit  
Voltage Code : FZ

# CAJN9480ZMHR-FZ

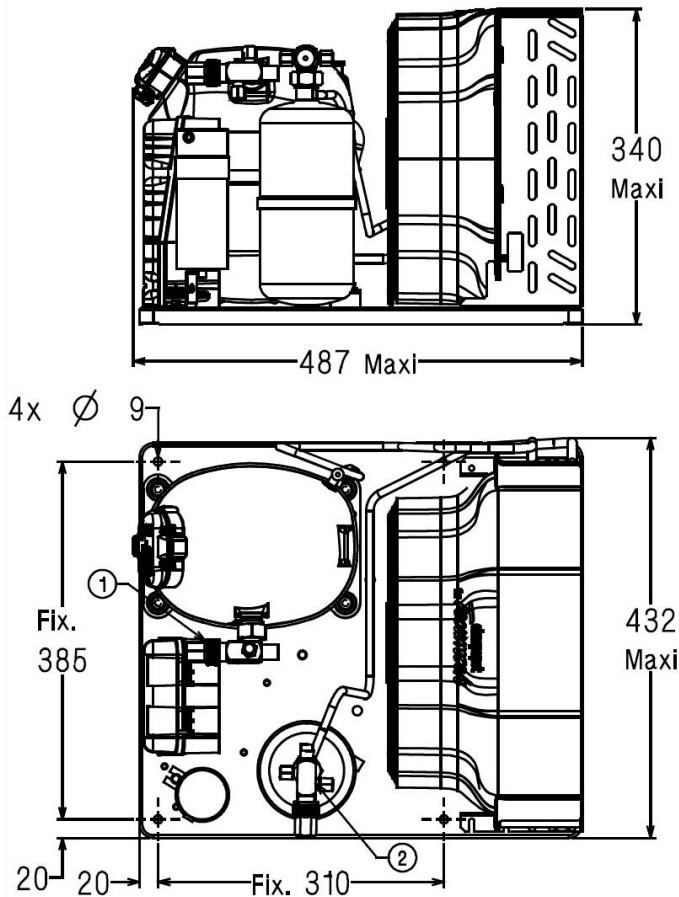
High Temp. Commercial (MHP)

220 - 240V 1~ 50 Hz

R452A / R404A / R448A / R449A

## CAJN9480ZMHR-FZ

Conditions	Frequency	Nominal Cooling Capacity		Sound Power ISO3745 / ISO 3743-1
		Watts	BTU/h	
EN13215 / R452A	50 Hz	1880	6411	64 dBA
EN13215 / R404A	50 Hz	1914	6526	64 dBA
EN13215 / R448A	50 Hz	1822	6213	64 dBA
EN13215 / R449A	50 Hz	1823	6216	64 dBA



\* EN13215 : T°Ambient 32.0°C / T°Evap. 5.0°C / T°Return gas temp.. 20.0°C  
T°Subcooling. 3.0K

<b>Net Weight (Kg)</b>	33.0
<b>Expansion device</b>	Expansion_Valve
<b>Air Flow (m³/h)</b>	900
<b>Compo Data Sheet</b>	224CT-FZ
<b>Elec Comp Type</b>	CSR
<b>Current (Amp)</b>	
Load Rated Amp	4.5
Max Cont Current	6.9
Lock Rotor Amp	23
<b>Fan</b>	
Speed (rpm)	1200
Power (W)	30.0
Diameter (mm)	300
Protection	Overload
IP Level	IP54
<b>Condenser</b>	300/3900
<b>Liquid Receiver</b>	
Capacity (L)	1.5
Maximum Pressure (Bars)	32.0
<b>Suction Line</b>	
Suction Type	Vanne Orientable
For Tubing Out Diam	12.7 (1/2")
Suction Connection Type	Brased
<b>Liquid Line</b>	
Liquid Line Type	Vanne Orientable
For Tubing Out Diam	9.5 (3/8")
Liquid Connecton Type	Brased
<b>Connection Type</b>	VR
<b>Fan Guard</b>	maille < à 8mm

Note : Tecumseh reserves the right to change information contained in this document without notification.



**Tecumseh**

<b>CAJN9480ZMHR-FZ</b>	<b>Tension FZ : 220 - 240V 1~ 50 Hz</b>
------------------------	---

Les performances sont données dans les <b>conditions EN13215</b> :	Gaz aspirés :	20.0 °C
Condition Dew	Sous refroidissement :	3.0 K
The performance data are in <b>EN13215 conditions</b> :	Return gas :	20.0 °C
Dew Condition	Subcooling :	3.0 K

© 2019 Tecumseh Products Company  
All rights reserved

### 50 Hz R452A

**N°6288**

5   T ambience	6   T évaporation	(°C)	-25	-20	-15	-10	-5	0	5	10	15
<b>25</b>	1   P frigorifique	(Watt)	678	861	1069	1299	1552	1823	2110	2409	2716
	2   P absorbée	(W)	493	550	608	668	731	797	867	942	1022
	3   I absorbée	(A)	2.47	2.72	2.98	3.25	3.53	3.83	4.15	4.49	4.86
	4   Tc	(°C)	30.3	32.1	34.0	36.1	38.3	40.7	43.2	45.9	48.8
<b>32</b>	1   P frigorifique	(Watt)	583	756	947	1157	1383	1625	1880	2144	2415
	2   P absorbée	(W)	495	559	624	691	761	835	912	994	1082
	3   I absorbée	(A)	2.43	2.73	3.03	3.34	3.66	4.00	4.35	4.73	5.13
	4   Tc	(°C)	36.5	38.2	40.0	41.9	44.0	46.2	48.6	51.2	53.9
<b>43</b>	1   P frigorifique	(Watt)		586	753	930	1118	1316	1521	1734	
	2   P absorbée	(W)		563	640	720	802	888	978	1073	
	3   I absorbée	(A)		2.71	3.08	3.46	3.85	4.24	4.65	5.08	
	4   Tc	(°C)		47.8	49.4	51.1	53.0	55.0	57.2	59.5	

### 50 Hz R404A

**N°5047**

5   T ambience	6   T évaporation	(°C)	-25	-20	-15	-10	-5	0	5	10	15
<b>25</b>	1   P frigorifique	(Watt)	737	923	1132	1362	1612	1878	2155	2439	2726
	2   P absorbée	(W)	521	578	637	697	759	823	890	961	1038
	3   I absorbée	(A)	2.61	2.86	3.12	3.38	3.66	3.95	4.26	4.58	4.94
	4   Tc	(°C)	33.2	34.9	36.8	38.8	41.0	43.3	45.7	48.3	51.0
<b>32</b>	1   P frigorifique	(Watt)	637	811	1004	1212	1435	1670	1914	2162	2410
	2   P absorbée	(W)	526	590	655	722	791	863	937	1016	1099
	3   I absorbée	(A)	2.58	2.88	3.18	3.49	3.80	4.13	4.47	4.83	5.21
	4   Tc	(°C)	39.3	40.9	42.6	44.5	46.5	48.6	50.9	53.3	55.9
<b>43</b>	1   P frigorifique	(Watt)		634	801	976	1158	1347	1538	1732	
	2   P absorbée	(W)		599	676	755	836	920	1006	1097	
	3   I absorbée	(A)		2.88	3.26	3.63	4.00	4.39	4.78	5.19	
	4   Tc	(°C)		50.2	51.6	53.3	55.0	57.0	59.0	61.2	

1 = cooling capacity 2 = power input 3 = current 4 = condensing temperature 5 = ambient temperature 6 = evaporating temperature

**Nota : Tecumseh se réserve le droit de modifier les informations contenues dans ce document sans préavis.**

**Note : Tecumseh reserves the right to change information contained in this document without notification.**



**Tecumseh**

<b>CAJN9480ZMHR-FZ</b>	<b>Tension FZ : 220 - 240V 1~ 50 Hz</b>
------------------------	---

Les performances sont données dans les <b>conditions EN13215</b> :	Gaz aspirés :	20.0 °C
Condition Dew	Sous refroidissement :	3.0 K
The performance data are in <b>EN13215 conditions</b> :	Return gas :	20.0 °C
Dew Condition	Subcooling :	3.0 K

© 2019 Tecumseh Products Company  
All rights reserved

### 50 Hz R448A (\*)

**N°6979**

5   T ambience	6   T évaporation	(°C)	-25	-20	-15	-10	-5	0	5	10	15
<b>25</b>	1   P frigorifique	(Watt)	576	754	957	1186	1440	1719	2021	2346	2690
	2   P absorbée	(W)	465	519	576	635	699	765	837	913	996
	3   I absorbée	(A)	2.32	2.57	2.82	3.09	3.37	3.68	4.00	4.36	4.74
	4   Tc	(°C)	30.7	32.5	34.4	36.5	38.8	41.2	43.7	46.4	49.2
<b>32</b>	1   P frigorifique	(Watt)		661	850	1060	1293	1547	1822	2117	2430
	2   P absorbée	(W)		529	592	659	729	804	884	969	1060
	3   I absorbée	(A)		2.58	2.88	3.19	3.51	3.86	4.22	4.61	5.02
	4   Tc	(°C)		38.6	40.4	42.4	44.4	46.7	49.1	51.6	54.3
<b>43</b>	1   P frigorifique	(Watt)				866	1066	1282			
	2   P absorbée	(W)				688	772	860			
	3   I absorbée	(A)				3.31	3.70	4.11			
	4   Tc	(°C)				51.6	53.5	55.5			

### 50 Hz R449A (\*)

**N°6221**

5   T ambience	6   T évaporation	(°C)	-25	-20	-15	-10	-5	0	5	10	15
<b>25</b>	1   P frigorifique	(Watt)	576	754	957	1186	1440	1719	2022	2347	2691
	2   P absorbée	(W)	465	519	576	635	699	765	837	913	996
	3   I absorbée	(A)	2.32	2.57	2.82	3.09	3.37	3.68	4.00	4.36	4.74
	4   Tc	(°C)	30.7	32.5	34.4	36.5	38.8	41.1	43.7	46.4	49.2
<b>32</b>	1   P frigorifique	(Watt)		661	850	1061	1293	1548	1823	2118	2431
	2   P absorbée	(W)		529	592	659	729	804	884	969	1060
	3   I absorbée	(A)		2.58	2.88	3.19	3.51	3.86	4.22	4.61	5.02
	4   Tc	(°C)		38.6	40.4	42.3	44.4	46.7	49.1	51.6	54.3
<b>43</b>	1   P frigorifique	(Watt)				866	1066	1283			
	2   P absorbée	(W)				688	772	860			
	3   I absorbée	(A)				3.31	3.70	4.11			
	4   Tc	(°C)				51.6	53.4	55.4			

**1 = cooling capacity 2 = power input 3 = current 4 = condensing temperature 5 = ambient temperature 6 = evaporating temperature**

(\*) Veuillez vous référer strictement aux Recommandations d'Utilisation et Bulletins Marketing Tecumseh du fait de la température de reflux élevée pour les applications LBP.

(\*) Due to very high discharge temperature especially on LBP conditions, please strictly refer to Tecumseh Guidelines & Marketing Bulletin when using this refrigerant.

**Nota : Tecumseh se réserve le droit de modifier les informations contenues dans ce document sans préavis.**

**Note : Tecumseh reserves the right to change information contained in this document without notification.**