



Condensing unit  
Voltage Code : FZ

# CAJN4452YHR-FZ

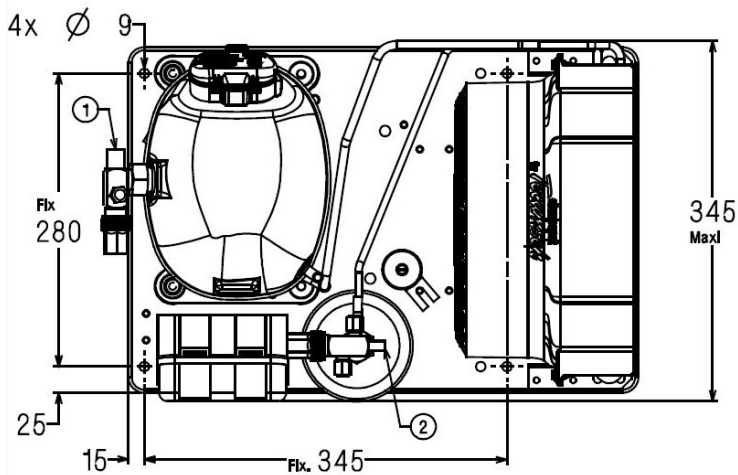
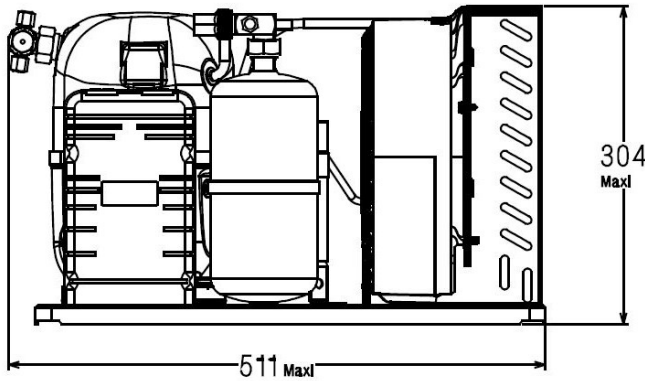
High Temp. Commercial (HP)

220 - 240V 1~ 50 Hz

R134a

## CAJN4452YHR-FZ

Conditions	Frequency	Nominal Cooling Capacity		Sound Power ISO3745 / ISO 3743-1
		Watts	BTU/h	
EN13215 / R134a	50 Hz	620	2114	58 dBA



\* EN13215 : T°Ambient 32.0°C / T°Evap. -10.0°C / T°Return gas temp.. 20.0°C  
T°Subcooling. 3.0K

<b>Net Weight (Kg)</b>	29.0
<b>Expansion device</b>	Expansion_Valve
<b>Air Flow (m³/h)</b>	550
<b>Compo Data Sheet</b>	214CS-FZ
<b>Elec Comp Type</b>	CSIR
<b>Current (Amp)</b>	
Load Rated Amp	3.6
Max Cont Current	5.6
Lock Rotor Amp	19.5
<b>Fan</b>	
Speed (rpm)	1200
Power (W)	16.0
Diameter (mm)	250
Protection	Overload
IP Level	IP54
<b>Condenser</b>	250/2050
<b>Liquid Receiver</b>	
Capacity (L)	1.5
Maximum Pressure (Bars)	32.0
<b>Suction Line</b>	
Suction Type	Vanne Orientable
For Tubing Out Diam	12.7 (1/2")
Suction Connection Type	Brased
<b>Liquid Line</b>	
Liquid Line Type	Vanne Orientable
For Tubing Out Diam	6.35 (1/4")
Liquid Connecton Type	Brased
<b>Connection Type</b>	VR
<b>Fan Guard</b>	maille < à 8mm


Note : Tecumseh reserves the right to change information contained in this document without notification.



**Tecumseh**

<b>CAJN4452YHR-FZ</b>	<b>Tension FZ : 220 - 240V 1~ 50 Hz</b>
-----------------------	-----------------------------------------

Les performances sont données dans les <b>conditions EN13215</b> :	Gaz aspirés :	20.0 °C
Condition Dew	Sous refroidissement :	3.0 K
The performance data are in <b>EN13215 conditions</b> :	Return gas :	20.0 °C
Dew Condition	Subcooling :	3.0 K

<b>50 Hz R134a</b>											
											
										<b>N°5035</b>	
5   T ambience	6   T évaporation	(°C)	<b>-25</b>	<b>-20</b>	<b>-15</b>	<b>-10</b>	<b>-5</b>	<b>0</b>	<b>5</b>	<b>10</b>	<b>15</b>
<b>25</b>	1   P frigorifique	(Watt)	311	424	554	701	863	1038	1221	1411	1600
	2   P absorbée	(W)	287	327	368	411	455	502	553	608	668
	3   I absorbée	(A)	2.83	2.89	2.98	3.09	3.23	3.38	3.57	3.78	4.01
	4   Tc	(°C)	31.8	34.1	36.7	39.4	42.4	45.5	48.9	52.5	56.2
<b>32</b>	1   P frigorifique	(Watt)		364	486	620	766	922	1084	1250	1414
	2   P absorbée	(W)		326	371	418	466	517	571	629	692
	3   I absorbée	(A)		2.87	2.98	3.10	3.25	3.42	3.61	3.83	4.08
	4   Tc	(°C)		40.0	42.4	45.1	47.9	51.0	54.2	57.7	61.4
<b>43</b>	1   P frigorifique	(Watt)			369	485	608	736	867		
	2   P absorbée	(W)			362	416	471	529	589		
	3   I absorbée	(A)			2.92	3.07	3.24	3.43	3.65		
	4   Tc	(°C)			51.5	54.0	56.6	59.5	62.6		

© 2019 Tecumseh Products Company  
All rights reserved

1 = cooling capacity 2 = power input 3 = current 4 = condensing temperature 5 = ambient temperature 6 = evaporating temperature

**Nota : Tecumseh se réserve le droit de modifier les informations contenues dans ce document sans préavis.**

**Note : Tecumseh reserves the right to change information contained in this document without notification.**